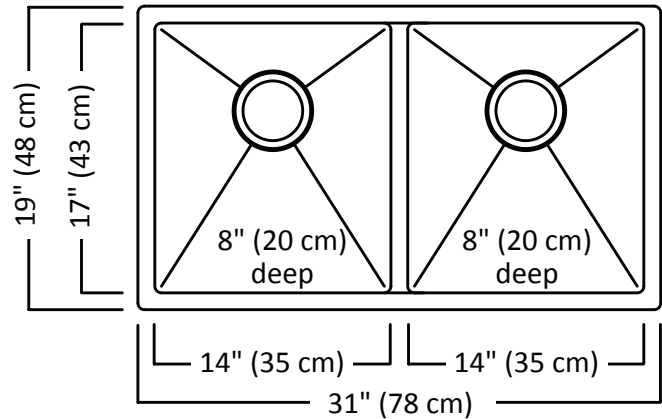


EDUF1931/8-LD Specification



Material Construction	<ul style="list-style-type: none"> • 18 gauge, 18-10 stainless steel, type 304 • 10 mm radius corners • Low divide centre separation • Creased bottom for improved drainage
Two equal size bowls	<ul style="list-style-type: none"> • 17" x 14" x 8" (43 x 35 x 20 cm)
Overall size	<ul style="list-style-type: none"> • 19" x 31" x 8" (48 x 78 x 20 cm)
Drain location	<ul style="list-style-type: none"> • Centre rear
Inclusions	<ul style="list-style-type: none"> • Undercoating and sound deadening pads • EA114 basket strainer waste
Finish	<ul style="list-style-type: none"> • Satin bowls and ledge
Recommended cabinet size	<ul style="list-style-type: none"> • 33"