

American Standard

Installation Instructions

4717 300
4717 303

COLLINA PULL-DOWN SINGLE CONTROL KITCHEN FAUCET with PULL-DOWN SPRAY

Thank you for selecting American-Standard...the benchmark of fine quality for over 100 years.

To ensure that your installation proceeds smoothly—please read these instructions carefully before you begin.



Certified to comply with IAPMO (cUPC)

994717FORM

Recommended Tools



2.5 mm Allen Wrench



Channel Locks



Adjustable Wrench



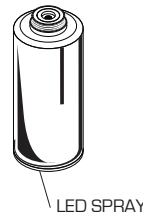
Plumbers' Putty or Caulking

1 INSTALL FITTING

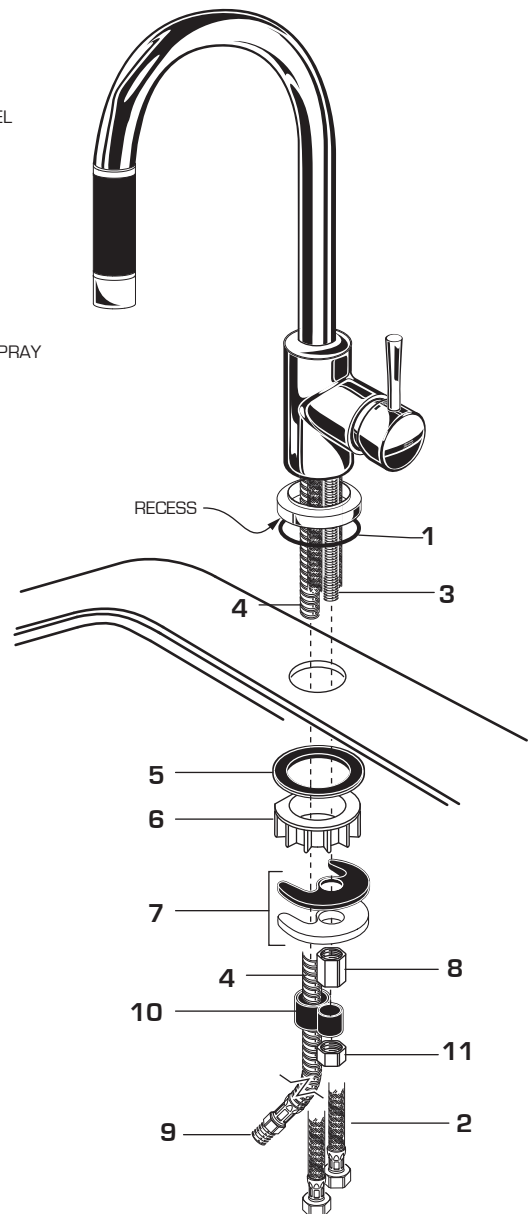
CAUTION Turn off hot and cold water supplies before beginning.

- Make certain the O-RING SEAL (1) is properly seated in recess of faucet body.
- Insert supply HOSES (2), SHANK (3) and SPRAY HOSE (4) through center hole of sink or mounting surface.
- Assemble RUBBER WASHER (5), PLASTIC SPACER (6), RUBBER & METAL "C" WASHERS (7) and long LOCKNUT (8) onto SHANK (3) from underside of sink. Hand tighten LOCKNUT (8) and check that faucet is centered.
- Feed HOSE END (9) through HOSE GUIDE (10). Slide other side of HOSE GUIDE (10) onto SHANK (3) and secure with LOCK NUT (11). Do not over tighten!

4717 303 MODEL

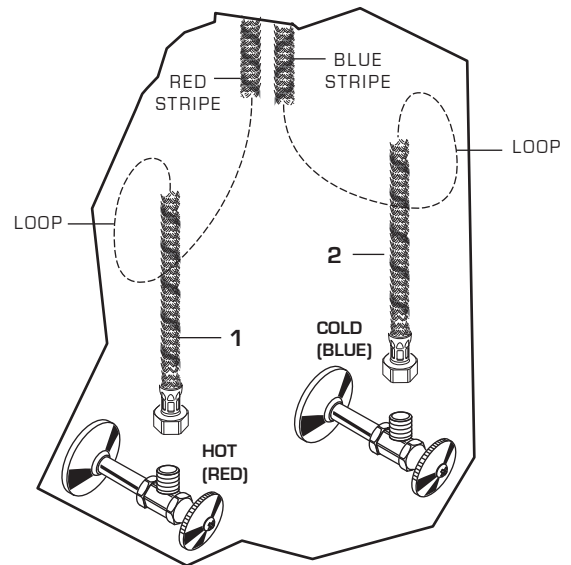


LED SPRAY



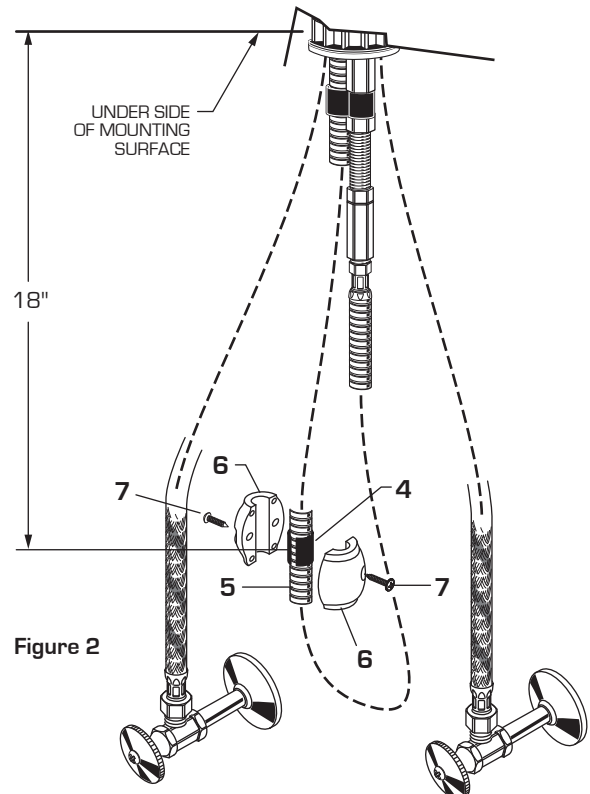
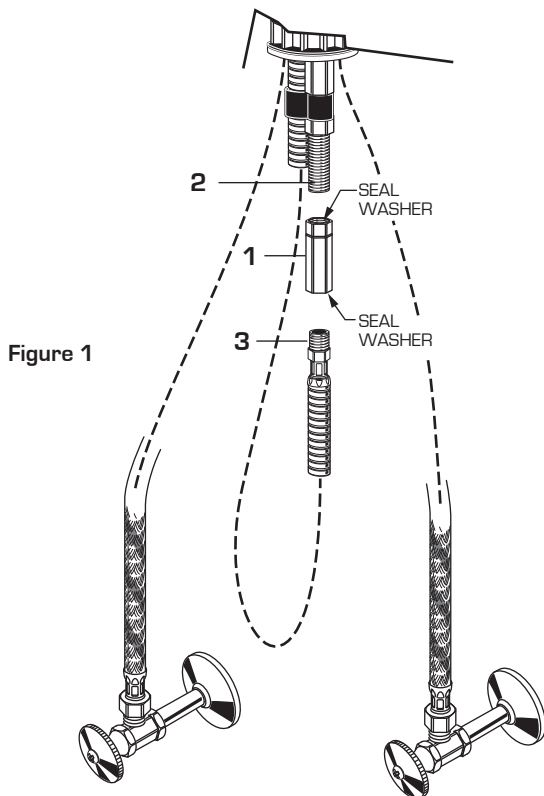
2 MAKE WATER SUPPLY CONNECTIONS

- Turn off hot and cold water supplies before beginning.
- Connect FLEXIBLE SUPPLIES (1) and (2) directly to wall supplies. Connection on fitting supplies are 3/8" compression. Connect left supply (Marked with a Red Stripe) (1) to Hot and right supply (Marked with Blue Stripe) (2) to Cold wall supply. Use adjustable wrench to tighten connections. Do not over tighten.
- Faucet supplies are 27-1/2" long from faucet base.
- **Note: If additional supply length is required, installer must purchase additional parts separately.**
- **Important: If SUPPLY HOSES (1, 2) are too long, loop as illustrated to avoid kinking.**



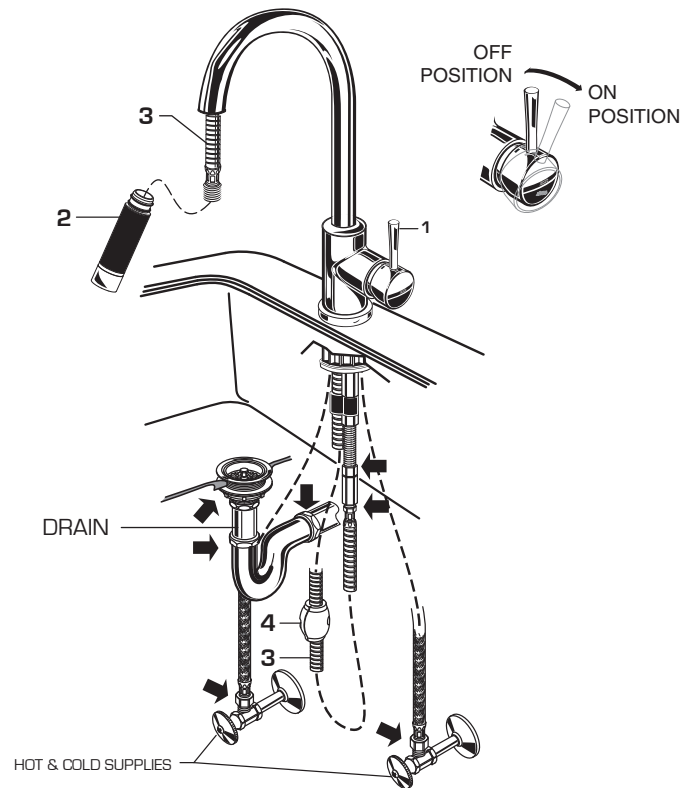
3 CONNECT HOSE SPRAY and INSTALL WEIGHT

- Check that seal washers are installed in both ends of SPRAY HOSE ADAPTER (1). Thread SPRAY HOSE ADAPTER (1) onto faucet SHANK (2). Tighten with adjustable wrench. Figure 1.
- Thread HOSE END (3) into bottom of SPRAY HOSE ADAPTER (1). Tighten with adjustable wrench. Make sure all connections are tight. Figure 1.
- Install RUBBER BUSHING (4) onto SPRAY HOSE (5). Install WEIGHTS (6) onto HOSE (5) using two screws (7). Locate WEIGHTS (6) 18" from underside of mounting surface on HOSE (5). Tighten SCREWS (7) firmly. Figure 2.



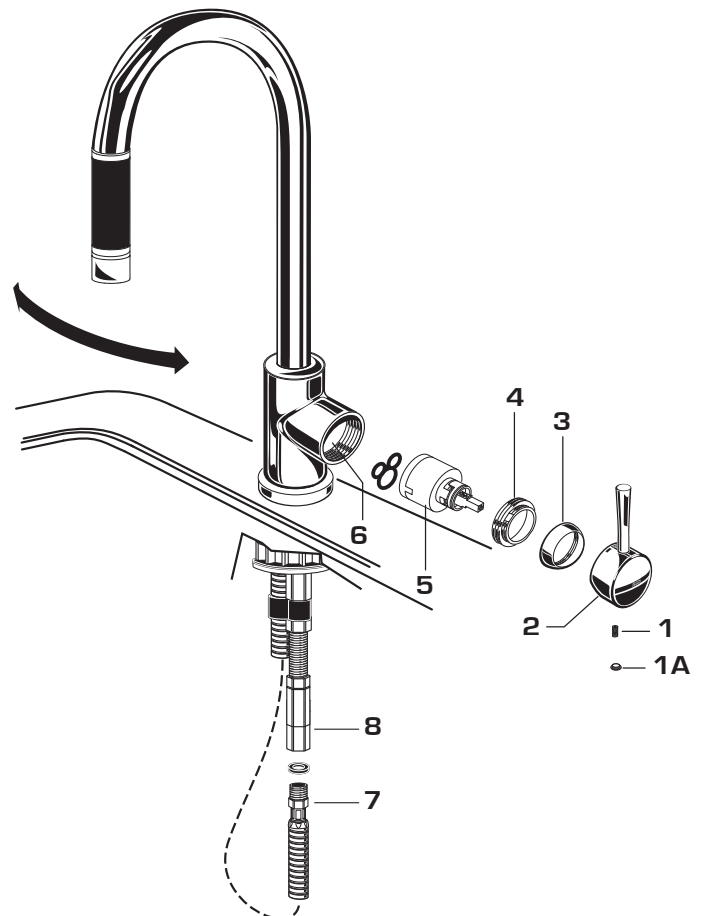
4 TEST INSTALLED FAUCET

- Move HANDLE (1) into "ON" position.
- Unthread SPRAY HOSE (3) from SPRAY (2).
- Turn on water supplies and check connections for leaks. ➡
- Hold HOSE END (3) in sink and operate HANDLE (1) on and off, hot and cold to flush water lines thoroughly. Move HANDLE (1) to "OFF" position. Replace SPRAY (2).
- Pull SPRAY (2) out and check hose and supply connections for leaks. ➡ Check that SPRAY HOSE (3) and WEIGHT (4) slide up and down freely and do not interfere with supplies or drain outlet plumbing.
- Check all drain connections for leaks. ➡



5 SERVICE

- **Clogged CARTRIDGE outlets or inlets may cause reduced flow.** To clean, first turn off water supply then:
 - Remove PLUG (1A). Loosen HANDLE SCREW (1) with 2.5mm Hex Wrench and then pull HANDLE BASE (2) off.
 - Unthread ESCUTCHEON CAP (3). Unthread the CARTRIDGE RETAINING NUT (4).
 - Remove CARTRIDGE (5). Clean inlets of CARTRIDGE (5) and MANIFOLD (6).
 - Reassemble CARTRIDGE (5). Replace CARTRIDGE NUT (4), ESCUTCHEON CAP (3) and HANDLE assembly (1, 1A and 2), check flow.



6 CARE INSTRUCTIONS:

DO: SIMPLY RINSE THE PRODUCT CLEAN WITH CLEAR WATER. DRY WITH A SOFT COTTON FLANNEL CLOTH.

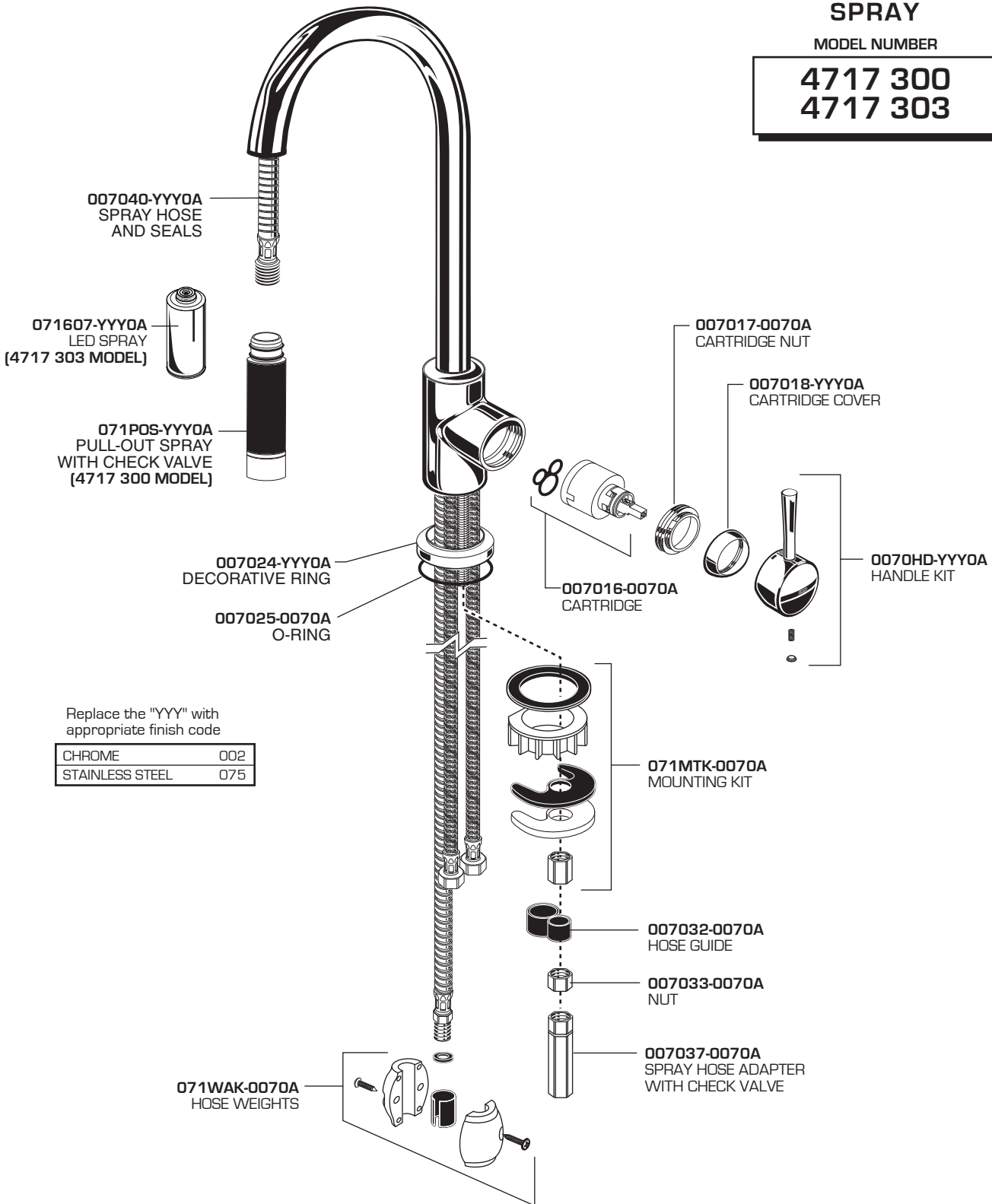
DO NOT: DO NOT CLEAN THE PRODUCT WITH SOAPS, ACID, POLISH, ABRASIVES, HARSH CLEANERS, OR A CLOTH WITH A COARSE SURFACE.

American Standard

**COLLINA PULL-DOWN
SINGLE CONTROL KITCHEN
FAUCET WITH PULL-DOWN
SPRAY**

MODEL NUMBER

**4717 300
4717 303**



HOT LINE FOR HELP

For toll-free information and answers to your questions, call:
1-800-387-0369 (TORONTO 1-905-306-1093)
Weekdays 8:00 a.m. to 7:00 p.m. EST

Product names listed herein are trademarks of American Standard Inc.
© AS America, Inc. 2010