



# Kalia

ONCE UPON A TIME...WATER®

## GRAFIK™

### BF1357-110

#### STANDARD: TCD1 Thermostatic Coaxial Shower System

#### SPECIFICATIONS



#### Components included

- BF1392: Rainhead with 90° wall arm
- 103574: 2-jet handshower (2 direct positions and 1 shared position)
- 102858: Wallbar
- 101620: 60" flexible and soft PVC hose
- BF1309: 1/2" Thermostatic coaxial diverter valve and decorative trim (3 direct positions and 2 shared positions)
- 102856: Wall outlet

#### Color (Finish)

- Chrome: BF1357-110

#### Certifications

*The specified model meets or exceeds the following standards;*

- ASME A112.18.1 / CSA B125.1



*See the following sheets for the technical features of each component.*

#### Installation Notes

This product must be installed following the installation instructions provided.

#### WARRANTY

Kalia Inc. guarantees all aspects of its products to be free of defects in material and workmanship for normal residential use. **Refer to the warranty included with the Kalia products for details.**



# Kalia

ONCE UPON A TIME...WATER®

1355, 2<sup>nd</sup> Street  
Sainte-Marie (Quebec)  
Canada G6E 1G9

T 418-387-9090  
1-877-GO-KALIA (1-877-465-2542)  
F 418-387-9089

[KaliaStyle.com](http://KaliaStyle.com)





# Kalia

ONCE UPON A TIME...WATER®

## BF1392

### STANDARD: Rainhead with 90° Wall arm

#### SPECIFICATIONS

#### Features

- Water 1/2" male inlet NPT
- Diameter of 195 mm (7 11/16")
- Anti-scale system with soft sprays
- Adjustable orientation swivel

#### Colors (Finishes)

- Chrome : BF1392-110

#### Certifications

The specified model meets or exceeds the following standards;

- ASME A112.18.1 / CSA B125.1



#### Packaging

- **Dimensions:** 205 mm x 205 mm x 85 mm (8" x 8" x 3 3/8")
- **Volume:** 0.14 cu ft (0.005 cu m)
- **Total weight:** 3.77 lb (1.71 kg)

#### Maximum flow rate

- 9.5 liters/min. (2.5 gallons/min.) at 80 psi



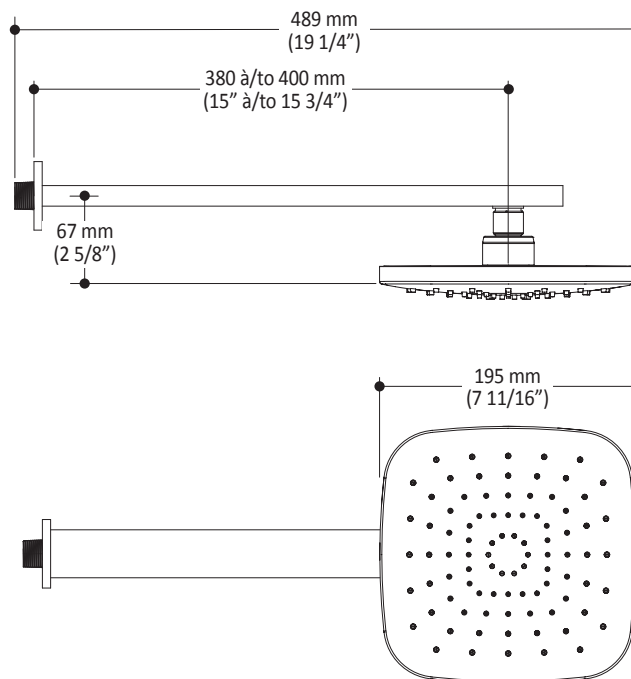
#### Installation Notes

This product must be installed following the installation instructions provided.

#### WARRANTY

Kalia inc. guarantees all aspects of its products to be free of defects in material and workmanship for normal residential use. **Refer to the warranty included with the Kalia products for details.**

Product dimensions:



**Important :** Dimensions are approximated and are subject to changes. Please refer to the installation instructions.



# Kalia

ONCE UPON A TIME...WATER®

1355, 2<sup>nd</sup> Street  
Sainte-Marie (Quebec)  
Canada G6E 1G9

T 418-387-9090  
1-877-GO-KALIA (1-877-465-2542)  
F 418-387-9089

[KaliaStyle.com](http://KaliaStyle.com)





ONCE UPON A TIME...WATER®

103574

STANDARD: 2-jet handshower

**SPECIFICATIONS**

**Features**

- Dimension: 106 mm (4 3/16")
- Anti-scale system with soft sprays
- Water G1/2 male inlet
- 2 direct positions and 1 shared position

**Colors (Finishes)**

- Chrome : 103574-110

**Certifications**

The specified model meets or exceeds the following standards;

- ASME A112.18.1 / CSA B125.1



**Packaging**

- **Dimensions:** 265 mm x 115 mm x 70 mm (10 1/2" x 4 1/2" x 2 3/4")
- **Volume:** 0.075 cu ft (0.003 cu m)
- **Total weight:** 0.62 lb (0.28 kg)

**Maximum flow rate**

- 9.5 liters/min. (2.5 gallons/min.) at 80 psi



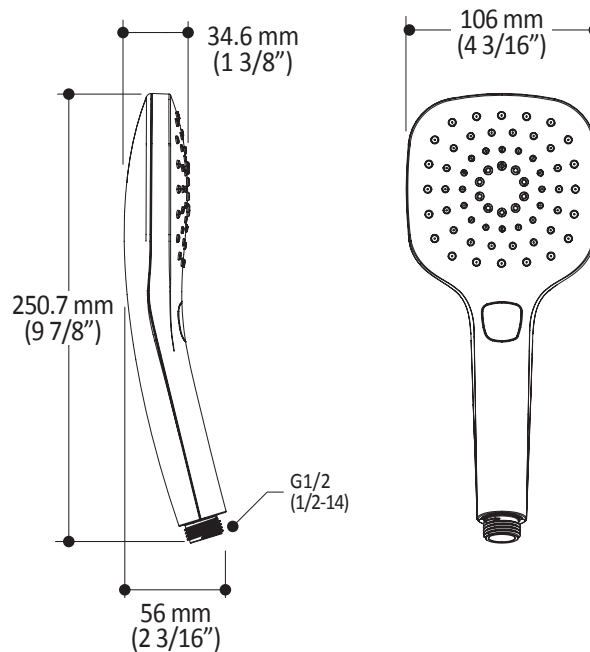
**Installation Notes**

This product must be installed following the installation instructions provided.

**WARRANTY**

Kalia inc. guarantees all aspects of its products to be free of defects in material and workmanship for normal residential use. Refer to the warranty included with the Kalia products for details.

Product dimensions:



**Important :** Dimensions are approximated and are subject to changes. Please refer to the installation instructions.



ONCE UPON A TIME...WATER®

1355, 2<sup>nd</sup> Street  
Sainte-Marie (Quebec)  
Canada G6E 1G9

T 418-387-9090  
1-877-GO-KALIA (1-877-465-2542)  
F 418-387-9089

KaliaStyle.com





# 102858

## Wallbar for Handshower

### SPECIFICATIONS

#### Features

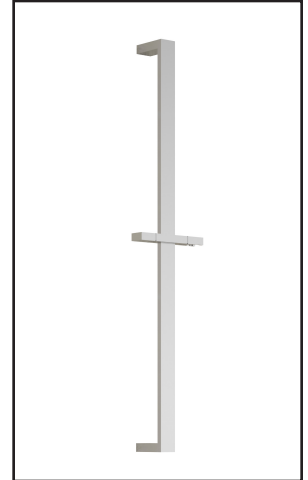
- Total height of 762mm (30")
- Locking system

#### Colors (Finishes)

- Chrome : 102858-110

#### Packaging

- **Dimensions:** 832mm x 152mm x 89mm  
(32 3/4" x 6" x 3 1/2")
- **Volume:** 0.40 cu ft (0.011 cu m)
- **Total weight:** 1.54 lb (0.7 kg)



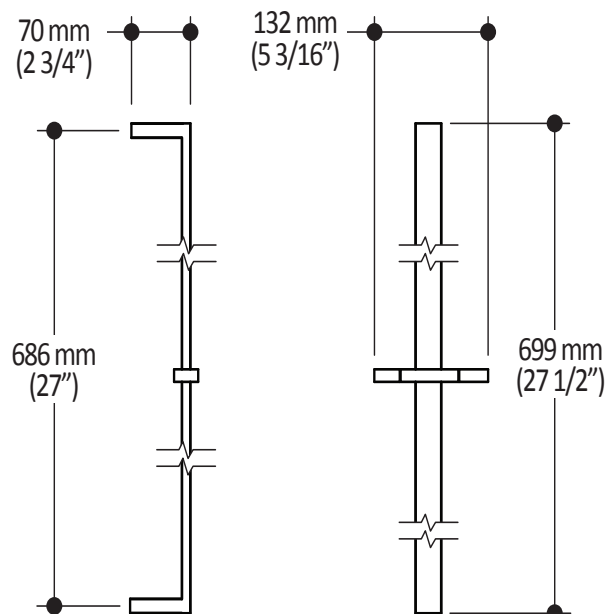
#### Installation Notes

This product must be installed following the installation instructions provided.

#### WARRANTY

Kalia Inc. guarantees all aspects of its products to be free of defects in material and workmanship for normal residential use. **Refer to the warranty included with the Kalia products for details.**

*Product dimensions:*



**Important:** Dimensions are approximated and are subject to changes. Please refer to the installation instructions.

**Kalia inc.**  
1355, 2nd Street  
Sainte-Marie (Quebec)  
Canada G6E 1G9

t. 1-418-387-9090  
1 877 GO KALIA (1-877-465-2542)  
f. 1-418-387-9089  
www.KaliaStyle.com

**Features**

- No visible screw
- Water 1/2" male inlet NPT threaded or welded
- Shut-off valves included
- Solid brass construction
- Total adjustment of 19mm (3/4")
- Ceramic cartridge
- Included support for better stability during installation
- Possibility of 3 components (3 direct positions and 2 shared positions)
- 1 small handle used to adjust the temperature
- 1 handle used to select a component

**Colors (Finishes)**

- Chrome : BF1309-110

**Certifications**

The specified model meets or exceeds the following standards;

- ASME A112.18.1 / CSA B125.1

**Packaging**

- **Dimensions:** 362mm x 184mm x 191mm (14 1/4" x 7 1/4" x 7 1/2")
- **Volume:** 0.45 cu ft (0.013 cu m)
- **Total weight:** 5.5 lb (2.5 kg)

**Maximum flow rate**

- 40 liters/min. (10.56 gallons/min.) at 60 psi

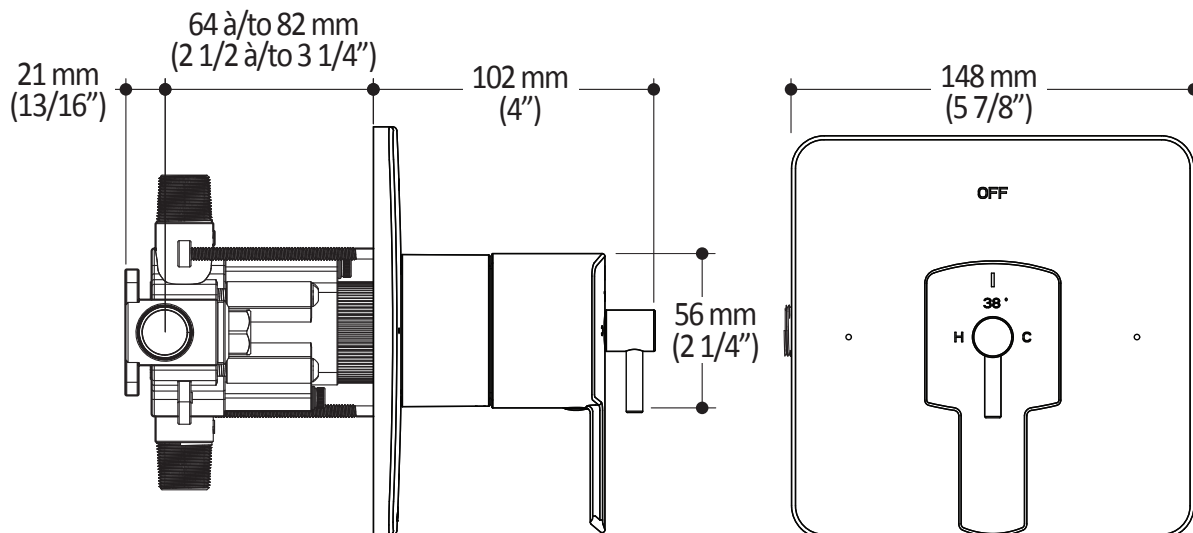
**Installation Notes**

This product must be installed following the installation instructions provided.

**WARRANTY**

Kalia Inc. guarantees all aspects of its products to be free of defects in material and workmanship for normal residential use. **Refer to the warranty included with the Kalia products for details.**

Product dimensions:



**Important:** Dimensions are approximated and are subject to changes. Please refer to the installation instructions.

**Kalia inc.**  
1355, 2nd Street  
Sainte-Marie (Quebec)  
Canada G6E 1G9

t. 1-418-387-9090  
1 877 GO KALIA (1-877-465-2542)  
f. 1-418-387-9089  
www.KaliaStyle.com



# 102856 Wall Outlet

## SPECIFICATIONS

### Features

- Water 1/2" NPT (male or female) inlet
- Water G1/2 male outlet
- Solid brass construction

### Colors (Finishes)

- Chrome : 102856-110

### Certifications

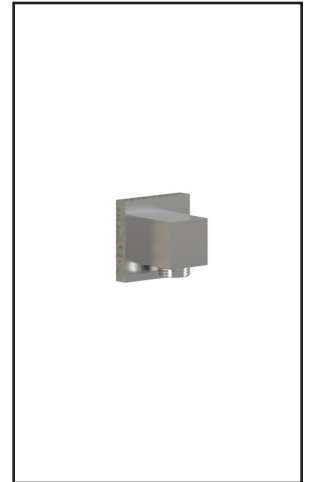
The specified model meets or exceeds the following standards;

- ASME A112.18.1 / CSA B125.1



### Packaging

- **Dimensions:** 305mm x 117mm x 92mm (12" x 4 5/8" x 3 5/8")
- **Volume:** 0.12 cu ft (0.003 cu m)
- **Total weight:** 0.53 lb (0.24 kg)



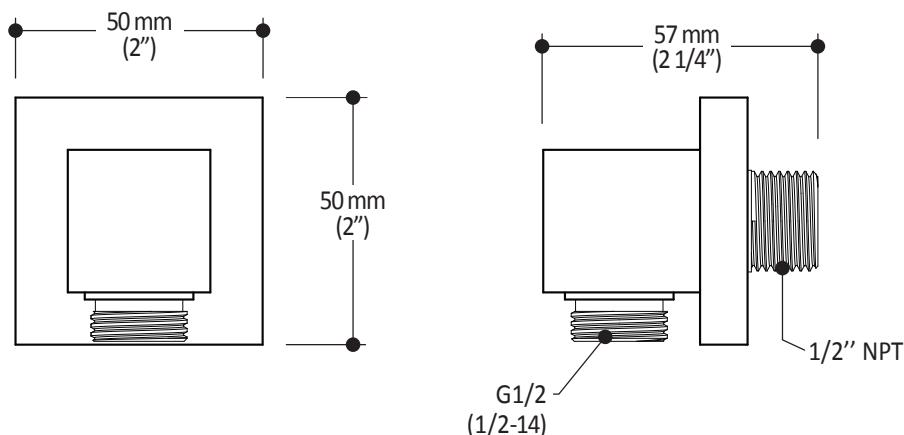
### Installation Notes

This product must be installed following the installation instructions provided.

### WARRANTY

Kalia Inc. guarantees all aspects of its products to be free of defects in material and workmanship for normal residential use. **Refer to the warranty included with the Kalia products for details.**

Product dimensions:



**Important:** Dimensions are approximated and are subject to changes. Please refer to the installation instructions.

**Kalia inc.**  
1355, 2nd Street  
Sainte-Marie (Quebec)  
Canada G6E 1G9

t. 1-418-387-9090  
1 877 GO KALIA (1-877-465-2542)  
f. 1-418-387-9089  
www.KaliaStyle.com