

EVOLUTION™ 2 FloWise™ ELONGATED TOILET

❑ 2753 128

- Vitreous china
- Meets definition for HET (High Efficiency Toilet)
1.07 gpf/4.8 Lpf
- Meets EPA WaterSense® criteria
- Contributes to a LEED solution
- 12" (305mm) rough-in
- Elongated siphon action bowl with direct-fed jet
- Fully glazed 2" (51mm) trapway
- Generous 9" x 8" (229x203mm) water surface area
- Pilot valve water control
- 2" (51mm) Flapper flush valve
- Colour-matched trip lever
- Sanitary bar on bowl
- 2 Colour-matched bolt caps
- 100% factory flush tested
- 2 Year Limited Warranty on Total Toilet

Separate Component Parts:

- ❑ 3063 001 Elongated Universal Bowl
- ❑ 4061 128 Tank

Alternate Tank Configurations Available:

- ❑ 4061 513 Tank complete with Aquaguard Liner
- ❑ 4061 813 Tank complete with trip lever located on right side

Nominal Dimensions:

755 x 456 x 722mm
(29-3/4" x 18" x 28-3/8")

Fixture only, seat and supply by others

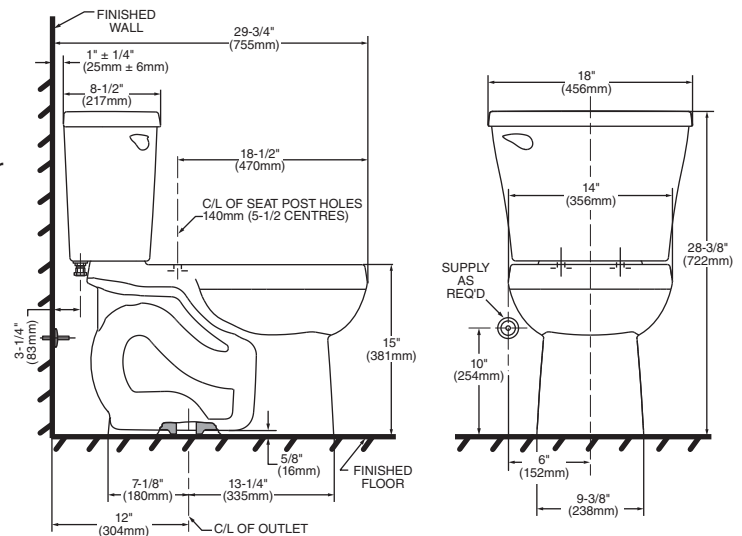
Compliance Certifications -

Meets or Exceeds the Following Specifications:

- ASME A112.19.2-2008/CSA B45.1-08 for Vitreous China Fixtures
- US EPA WaterSense® HET's

To Be Specified

- ❑ Color: White Bone Linen
- ❑ Seat: American Standard #5324 019 "Rise and Shine" solid plastic closed front seat with cover.
- ❑ Seat: #5284 016 Elongated EverClean® solid plastic seat and cover
- ❑ Seat: American Standard #5321 110 EverClean™ Elongated Seat with Cover and Slow Close Snap-Off hinges
- ❑ Alternate Seat:
- ❑ Supply with stop:



NOTES:

THIS COMBINATION IS DESIGNED TO ROUGH-IN AT A MINIMUM DIMENSION OF 305MM (12") FROM FINISHED WALL TO C/L OF OUTLET.

* DIMENSION SHOWN FOR LOCATION OF SUPPLY IS SUGGESTED.

SUPPLY NOT INCLUDED WITH FIXTURE AND MUST BE ORDERED SEPARATELY.

IMPORTANT: Dimensions of fixtures are nominal and may vary within the range of tolerance established by ANSI Standard A112.19.2

These measurements are subject to change or cancellation. No responsibility is assumed for use of superseded or voided pages.

