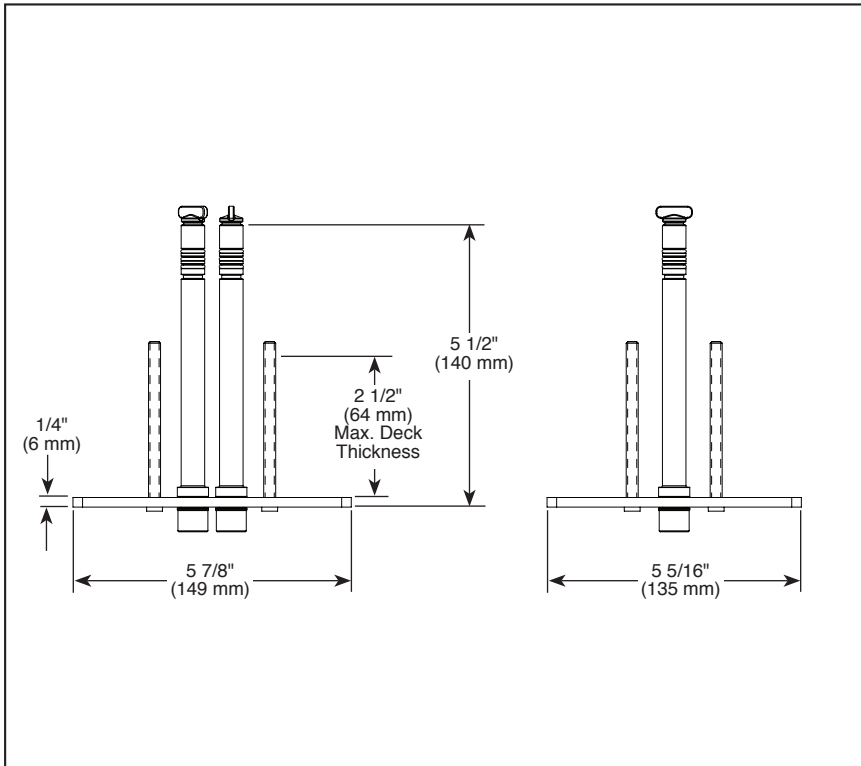


Submitted Model No.: \_\_\_\_\_

Specific Features: \_\_\_\_\_



see what Delta can do™

## TUB FILLER ROUGH

- R4700-FL
- 1/2" Sweat Rough-In

### STANDARD SPECIFICATIONS

- 1/2" sweat rough-in.
- Machined brass body with stainless steel mounting plate.
- Must order trim separately.
- Refer to m&i for concrete installation instructions.
- Product ships with test plugs and plasterguard.

### WARRANTY

- Lifetime limited warranty on parts (other than electronic parts and batteries) and finishes; or, for commercial users, for 5 years from date of purchase.
- 5 year limited warranty on electronic parts (other than batteries); or, for commercial users, for 1 year from the date of purchase. No warranty is provided on batteries.

### COMPLIES WITH:

- ASME A112.18.1 / CSA B125.1

Delta reserves the right (1) to make changes in specifications and materials, and (2) to change or discontinue models, both without notice or obligation. Dimensions are for reference only. See current full-line price book or [www.deltafaucet.com](http://www.deltafaucet.com) for finish options and product availability.

DSP-B-R4700-FL Rev. D

### Delta Faucet Company

55 E. 111th Street, Indianapolis, IN 46280  
350 South Edgeview Road, St. Thomas, ON N5P 4L1  
© 2017 Delta Faucet Company