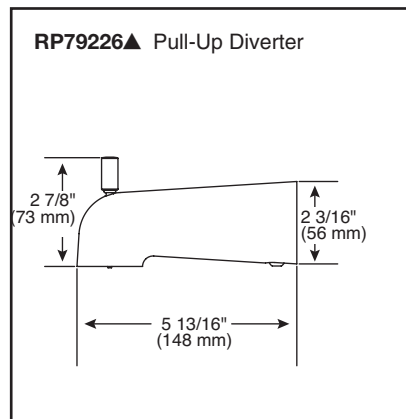
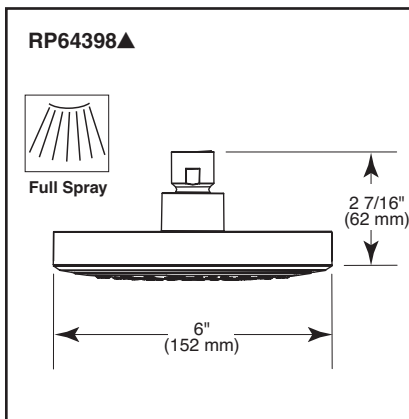
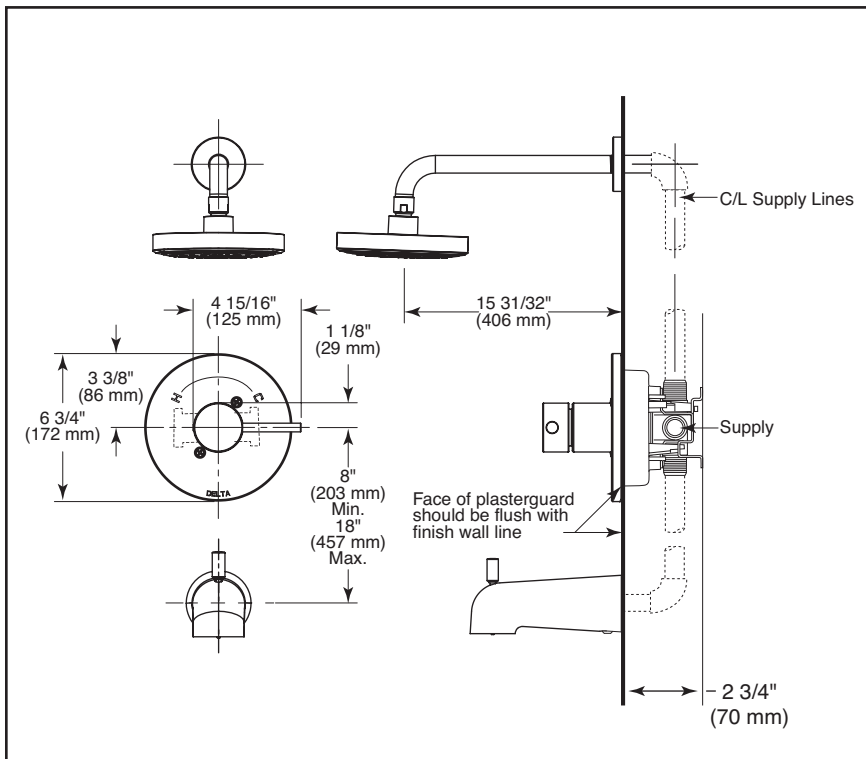


Submitted Model No.: _____
 Specific Features: _____



▲ Designate proper finish suffix

Delta reserves the right (1) to make changes in specifications and materials, and (2) to change or discontinue models, both without notice or obligation. Dimensions are for reference only. See current full-line price book or www.specselect.com for finish options and product availability.

DSP-B-T14091



TUB AND SHOWER FAUCET TRIM

- Tommy™ Collection
- Valve Only Trim (T14091 Series)
- Shower Only Trim (T14291 Series)
- Tub/Shower Trim (T14491 Series)
- Single Handle

STANDARD SPECIFICATIONS:

- Monitor® 14 Series pressure balanced bath mixing valve with Scald-Guard®.
- Back-to-back installation capability.
- Field adjustable to limit handle rotation into hot water zone.
- 120° maximum handle rotation.
- For use with MultiChoice Universal rough valve body. (R1 0000 Series)
- All parts replaceable from the front of the valve.
- Temperature only controlled with handle.
- Maintains a balanced pressure of hot and cold water even when a valve is turned on or off elsewhere in the system.
- 1/2" C.W.T slip-on spout

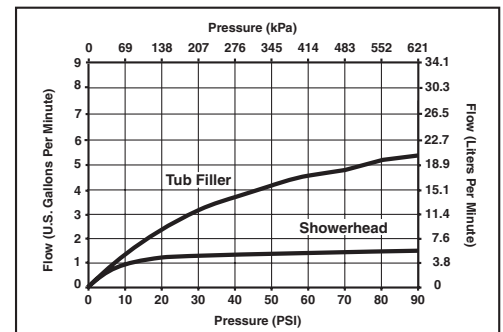
WARRANTY

- Lifetime Faucet and Finish Limited Warranty to the original consumer purchaser to be free from defects in material and workmanship.
- 5 Year Limited Warranty for usage in all industrial, commercial and business applications.



COMPLIES WITH:

- ASME A1 12.18.1 / CSA B125.1
- ASSE 1016-P
- ☑ Indicates ADA compliance to ICC/ANSI A1 17.1



395 Matheson Blvd. E., Mississauga, Ontario, Canada L4Z 2H2
 © 2014 Masco Canada