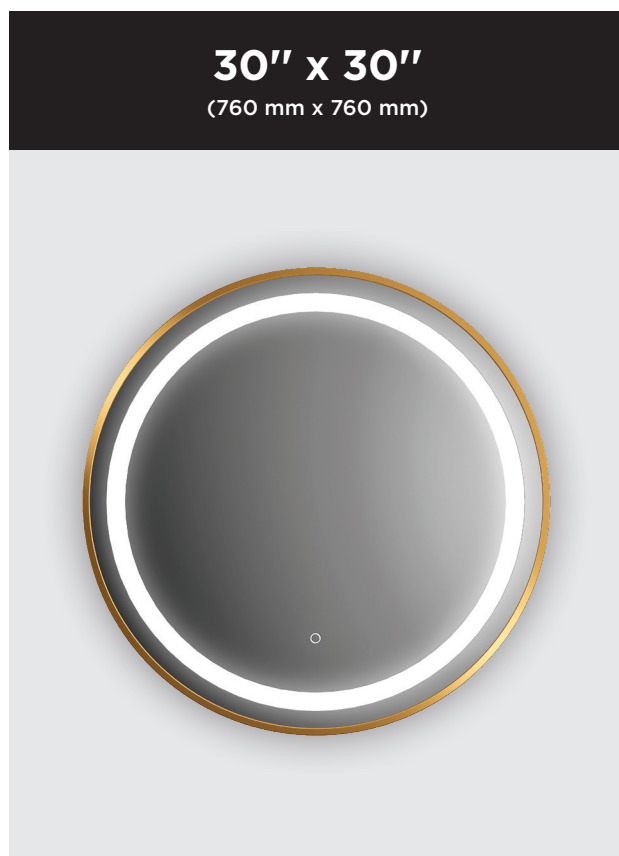


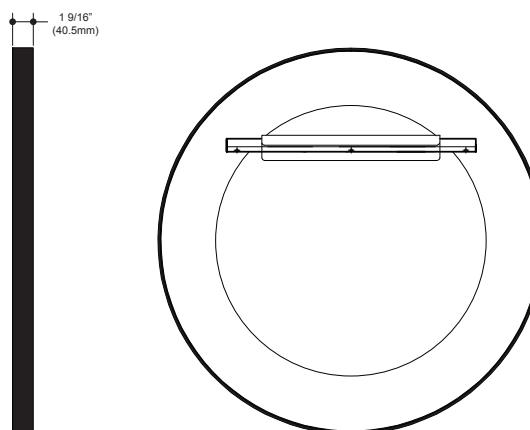
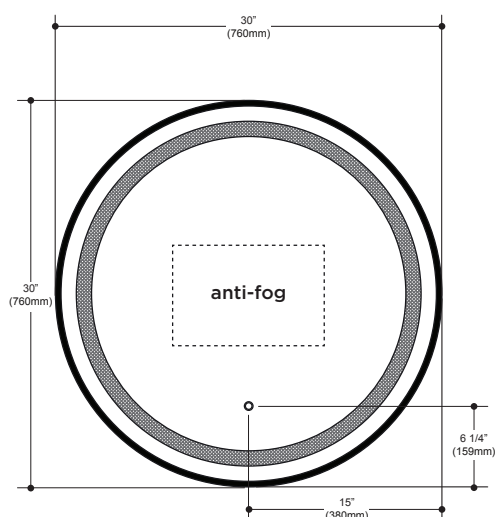
Effect

LED-illuminated round mirror with frosted strip, Brushed Gold frame and touch-switch for color temperature control



FEATURES	
Model #	MR1782-570-180
Packaging mm (in)	880 x 870 x 90 (34.6 x 34.3 x 3.5)
Mirror thickness	4 mm
Weight kg (lb)	11 (24.3)
Certification	
Anti-fog system	Included
Magnifying mirror (3X)	Not available
Réversible	No
Total thickness	40.5 mm (1 9/16")
Automatically opens with wall switch	Yes
Frame	Brushed Gold

LIGHTING	
Power (watt)	31 W
Input (volt)	120 V
Lumens	1059 lm
Color temperature controlled by maintaining the touch-switch	from 2700k to 6000k
Frequency	60 Hz
Color Rendering Index (CRI)	90+



- Touch Switch
- Frosted strip
- Anti-fog