

Ecostat E
Thermostatic Trim with Volume Control and Diverter
 Finishes : **chrome** Part no. : **15708001**



Description

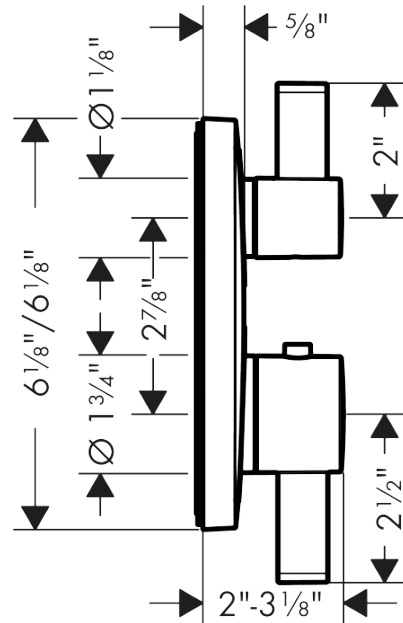
Features

- Volume control and diverter for 2 outlets
- Flow: 6.0 GPM (22.7 L/Min)
- Thermostatic cartridge, Shut-off/ diverter valve
- Anti-scald 100° safety stop
- Optimized for water-efficient shower products

Product image



Scale drawing

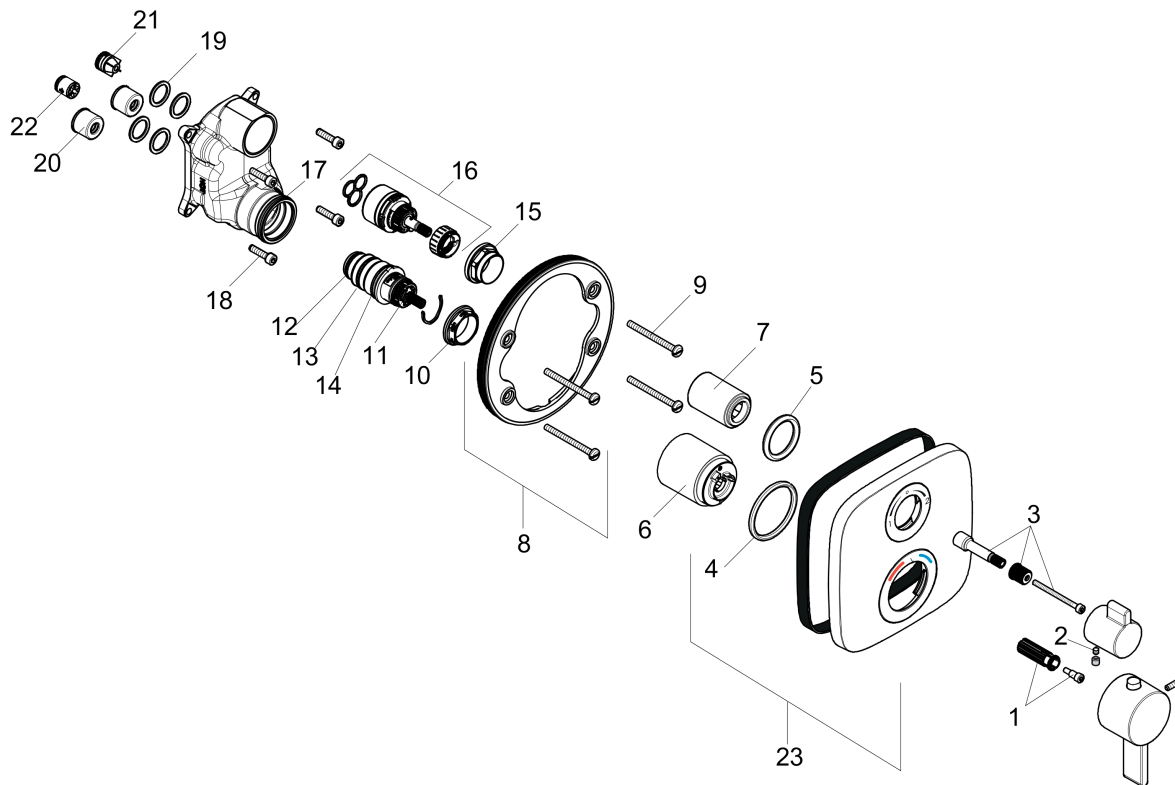


Ecostat E
Thermostatic Trim with Volume Control and Diverter
 Finishes : **chrome** Part no. : **15708001**



Exploded drawing

Year of production: >07/20



Ecostat E

Thermostatic Trim with Volume Control and Diverter

Finishes : **chrome** Part no. : **15708001**



Spare parts list

Year of production: >07/20

Pos.	Description	Part no.	PC	PU
1	handle fixing set	95843000	0	1
2	hollow set screw M4x5	92846000	0	1
3	adapter for handle	95252000	0	1
4	O-ring 44x4	98471000	0	1
5	O-ring 30x5	98153000	0	1
6	sleeve	92216000	0	1
7	sleeve	96446000	0	1
8	holder for escutcheon	98793000	0	1
9	set of fixing screws	96454000	0	1
10	nut	98913000	0	1
11	thermostat cartridge	98282000	0	1
12	O-ring 20x1,5	98197000	0	1
13	O-ring 25x1,5	98146000	0	1
14	O-ring 25x2,5	92146000	0	1
15	nut	95255000	0	1
16	shut off unit with selector	98283000	0	1
17	O-ring 36x2	98156000	0	1
18	set of screws	96525000	0	1
19	O-ring 16x2	98133000	0	1
20	noise reduction	94073000	0	1
21	set of non return valves DW 15	97350000	0	1
22	extension 25 mm	13595000	0	1
23	escutcheon 155 / 155 mm	92279001	0	1
a	set of fixing screws	97747000	0	1
b	compensation set 1°	95521000	0	1
c	extension 22 mm	15597000	0	1
d	non return valve (pressure-resistant up to 2 MPa)	92594000	0	1