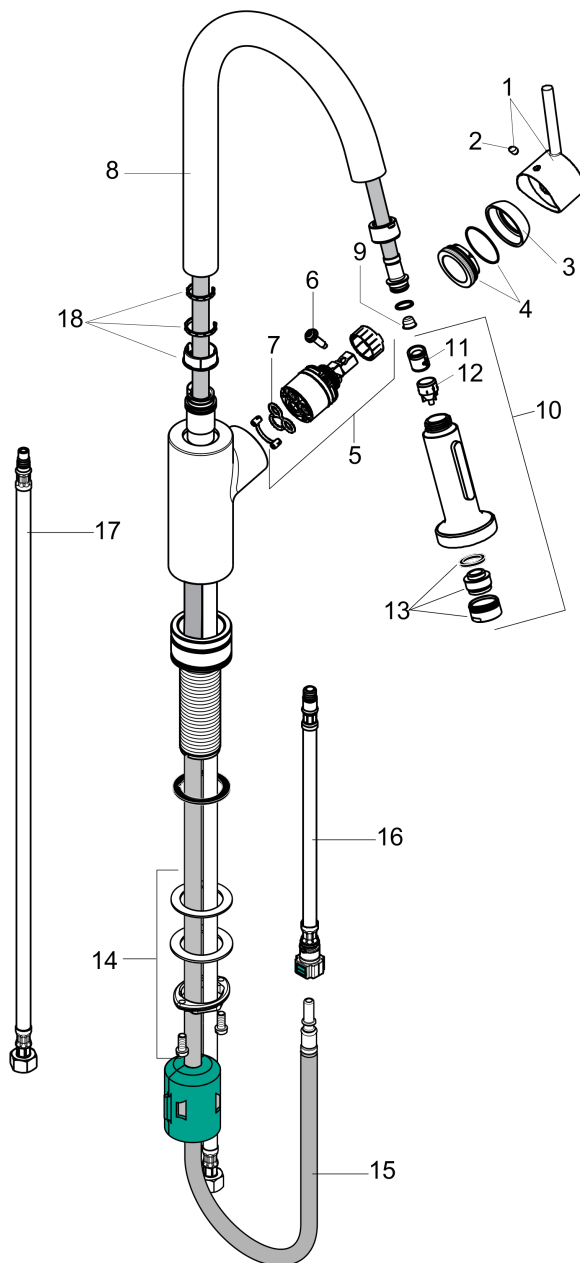


**Talis S<sup>2</sup>**  
**HighArc Kitchen Faucet, 2-Spray Pull-Down, 1.75 GPM**  
 Finishes : **chrome**    Part no. : **14877001**



**Exploded drawing**

Year of production: >10/18



**Talis S<sup>2</sup>**  
**HighArc Kitchen Faucet, 2-Spray Pull-Down, 1.75 GPM**  
 Finishes : **chrome**    Part no. : **14877001**



### Spare parts list

Year of production: >10/18

Pos.	Description	Part no.	Price	PU
1	handle	95560000	-	1
2	screw cover	96338000	-	1
3	flange	95498000	-	1
4	nut	97209000	-	1
5	cartridge, assy	92730000	-	1
6	locking screw for handle	95140000	-	1
7	seal	95008000	-	1
8	spout cpl.	95562000	-	1
9	filter	97735000	-	1
10	spray head cpl.	88658000	-	1
11	non return valve	93218000	-	1
12	set of non return valves DW 15	97350000	-	1
13	aerator M24x1 (15 l/min)	13913000	-	1
14	fixing set (Ø 34)	95049000	-	1
15	hose 1,50 m	88624000	-	1
16	connection hose 600 mm M10x1	95561000	-	1
17	connection hose 35½" M8x0,75 3/8"	96316001	-	1
18	set of lever collars	98365000	-	1
a	insert for spout	92161000	-	1