

## DESCRIPTION

- Ceramic cartridge
- 3/8" Speedway compression
- Push drain

## FLOW

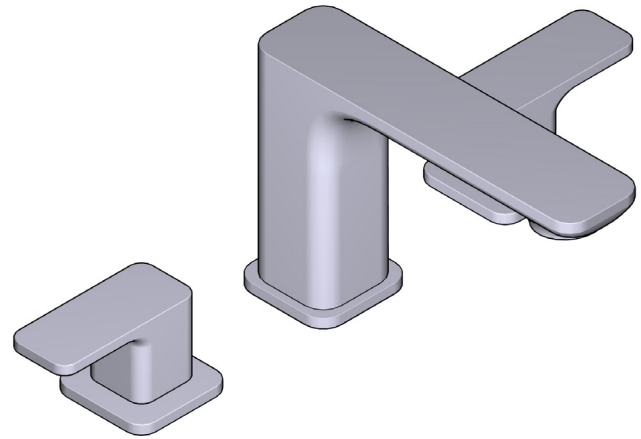
- 4.5 L/min, 1.2 gpm (US) 60psi \*
- 1.9 L/min, 0.5 gpm (US) 60psi (EQ08-05)
- \*EPA certification applicable to the indicated model only\*

## STANDARDS

- CSA B125.1
- NSF/ANSI standard 61 and 372
- ASME A112.18.1
- ADA

## WARRANTY

- Most products or parts carry "Limited Warranties" against manufacturing defects. For US customers please visit [housefrohl.com/support](http://housefrohl.com/support) and for Canadian customers please visit [riobel.ca](http://riobel.ca) for complete product and finish warranty.

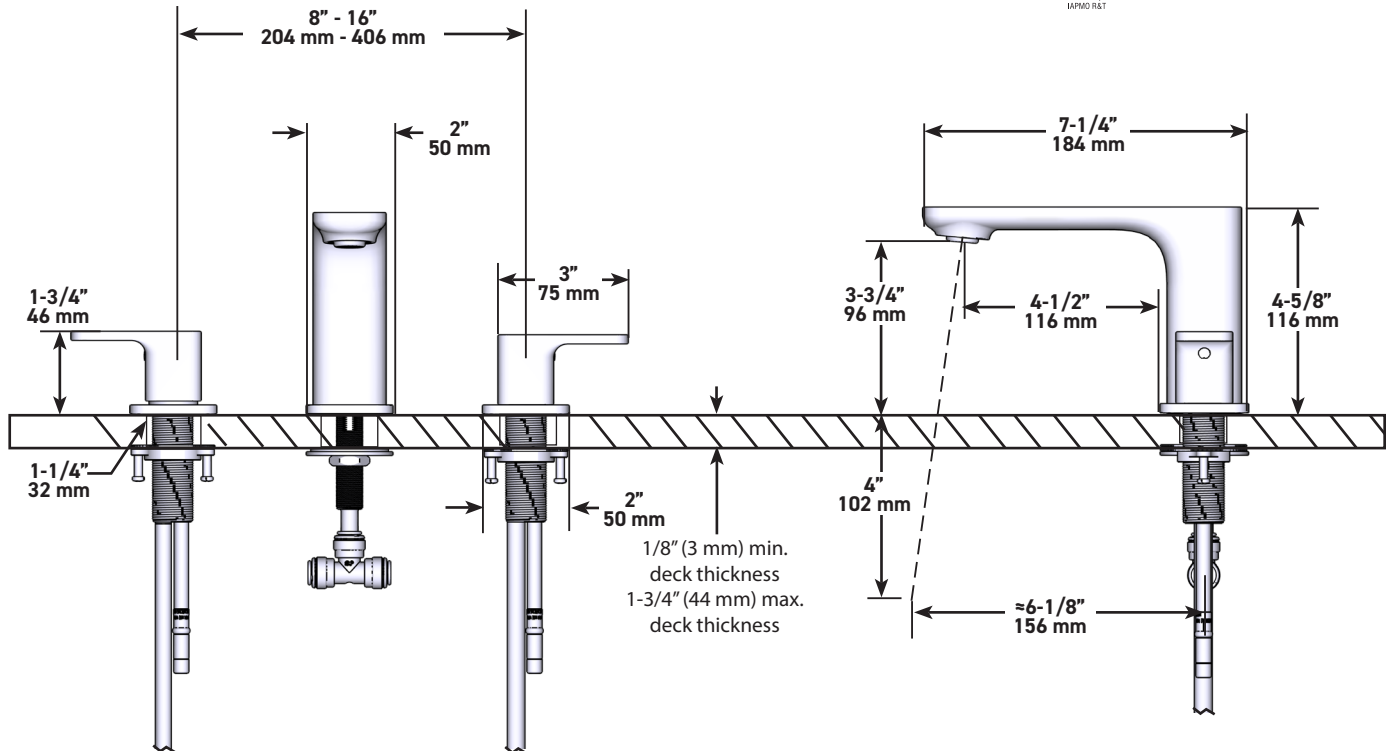


## Equinox

8" Lavatory Faucet

**MODELS:** EQ08 Series

- C: Chrome
- BN: Brushed Nickel (PVD)
- BK: Black



QUEBEC / MARITIMES / WESTERN CANADA  
 QUÉBEC / MARITIMES / OUEST CANADIEN  
 QUEBEC / MARITIMOS / CANADA OCCIDENTAL  
 HOUSEFROHL.CA  
 1-866-473-8442

U.S.A.  
 HOUSEFROHL.COM  
 1-800-777-9762

ONTARIO  
 HOUSEFROHL.CA  
 1-888-287-5354

A DISTINCTIVE MEMBER OF THE HOUSE OF ROHL  
 UN MEMBRE DISTINCTIF DE HOUSE OF ROHL  
 MIEMBRO DISTINTIVO DE LA FAMILIA HOUSE OF ROHL