

INSTALLATION INSTRUCTIONS

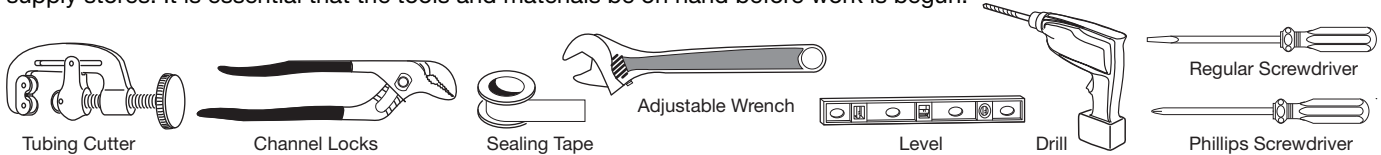
Contemporary Free Standing Floor Mount Tub Filler Model D35901.971



Thank you for selecting DXV by American Standard.
To ensure that your installation proceeds smoothly,
please read these instructions carefully
before you begin.

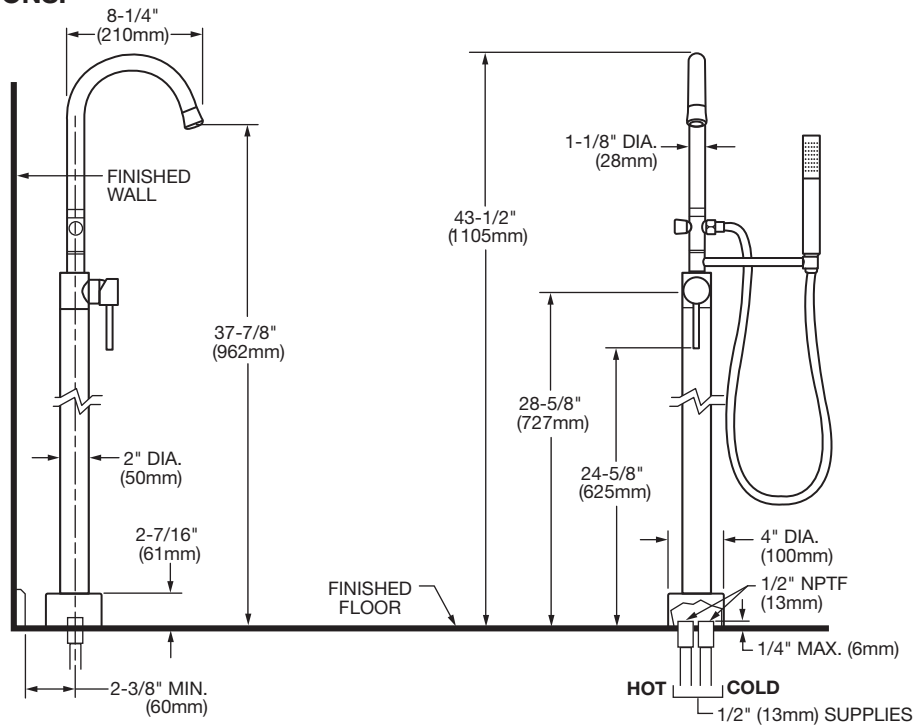
RECOMMENDED TOOLS AND MATERIALS

Most of the procedures require the use of common tools and materials, which are available from hardware and plumbing, supply stores. It is essential that the tools and materials be on hand before work is begun.



ROUGHING-IN DIMENSIONS:

• For reference



SAVE FOR FUTURE USE

In the United States:
DXV by American Standard
One Centennial Avenue
Piscataway, New Jersey 08855
Attention: Director of Customer Care

For residents of the United States, warranty information may also be obtained by calling the following toll free number: (800) 227-2734
www.DXV.com

In Canada:
DXV by American Standard
5900 Avebury Road
Mississauga, Ontario
L5R 3M3
Canada

Toll Free: 1-800-387-0369
Local: 905-306-1093
Fax: 1-800-395-1498
www.DXV.ca

In Mexico:
DXV by American Standard
Via Morelos 330
Col. Santa Clara Coatitla
Ecatepec, Estado de México 55540

Toll Free: 01-800-8391200
www.DXV.mx

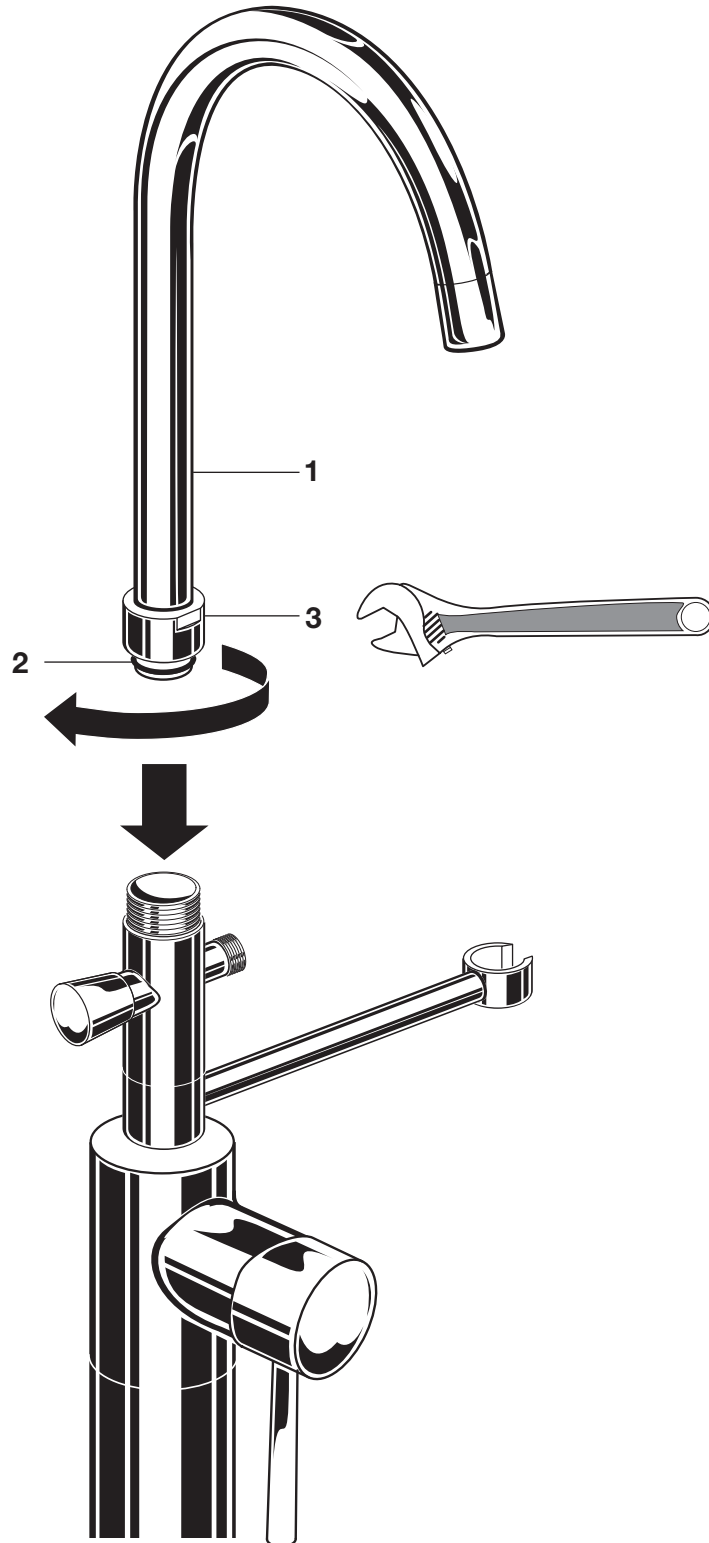
1**SPOUT ASSEMBLY****CAUTION**

Turn off hot and cold water supplies before beginning.

IMPORTANT NOTICE TO THE INSTALLER!

Please check with your local Code Authority for acceptable installation requirements for this Roman Tub set with hand shower. Some local codes may require a vacuum breaker and/or a pressure balanced mixing valve to be installed in conjunction with this product.

- Install SPOUT (1) into faucet body. Make sure O-RING (2) is installed and not damaged.
- Hand tighten SPOUT NUT (3). Align and center the SPOUT (1) with the center line of the faucet body. With an adjustable wrench fully tighten the SPOUT NUT (3).
Note: Be careful not to scratch faucet while tightening SPOUT (1).



2 DETERMINE MOUNTING LOCATION

FIGURE 1.

- Determine the distance from the finished wall to the center of the floor water supply holes and mark a centerline. This measurement cannot be less than 2-3/8" (60mm) from the finished wall including any base board moldings.
- Drill two 1-1/4" (32mm) diameter holes for 1/2" (13mm) Hot and Cold supplies.
- Slide FLANGE COVER (1) upwards on the TUB FILLER ASSEMBLY (2).

Note: Check that floor is level in both directions.

- Place MOUNTING FLANGE (3) over the two floor supply holes. Align and center the TUB FILLER ASSEMBLY (2).

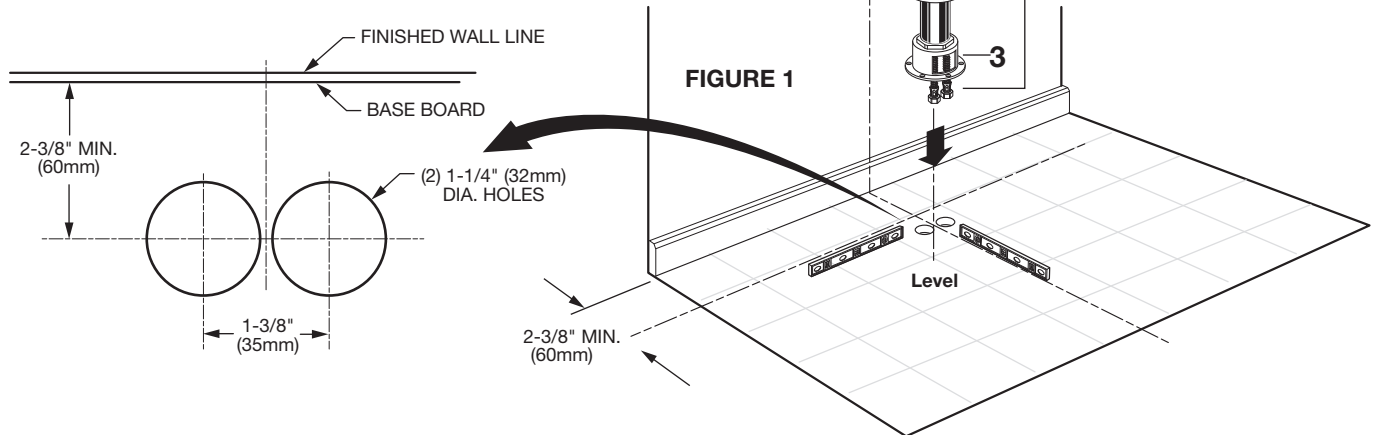


FIGURE 2.

- With the TUB FILLER ASSEMBLY (2) aligned and in desired position, mark on the floor the six mounting holes for the floor flange.

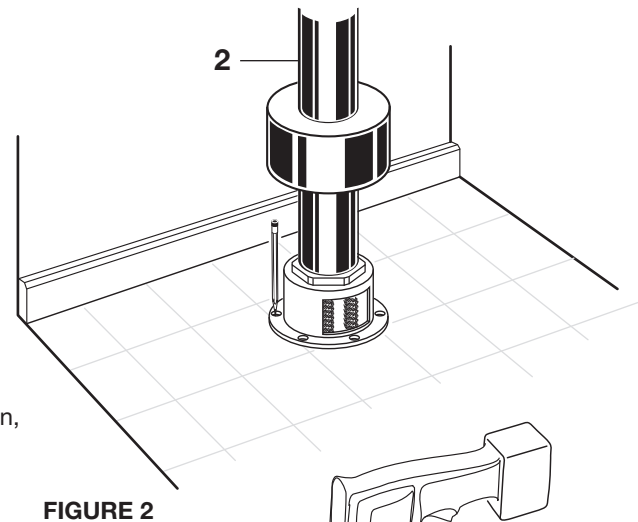
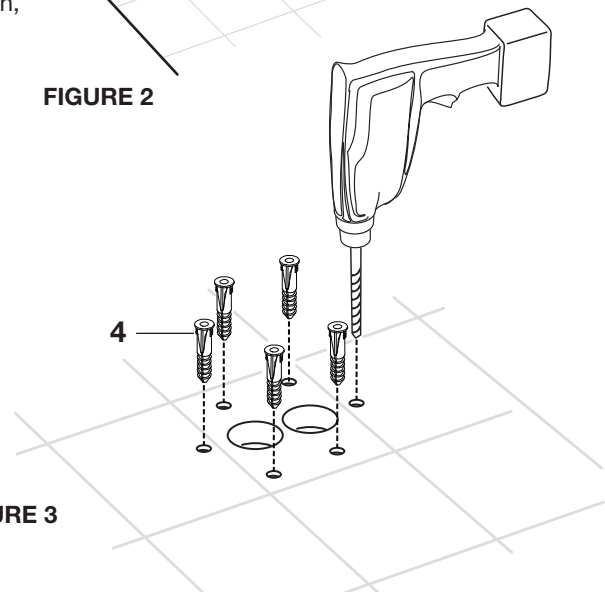


FIGURE 3.

- Drill six 1/4" (6mm) diameter holes 1-3/4" (44mm) deep.
- Install the six ANCHORS (4) supplied, flush with the top of the finished floor.

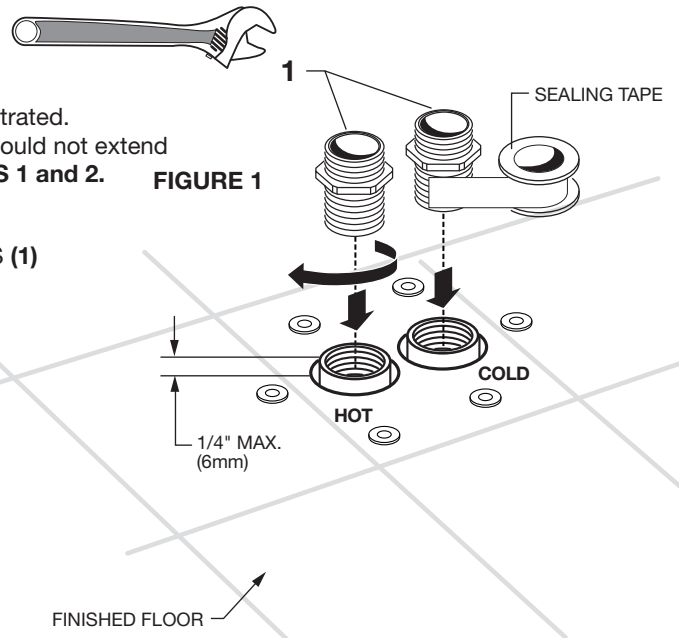
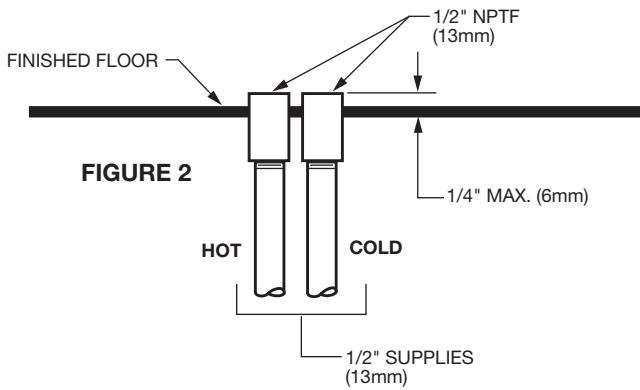
FIGURE 3



3 INSTALL TUB FILLER ASSEMBLY

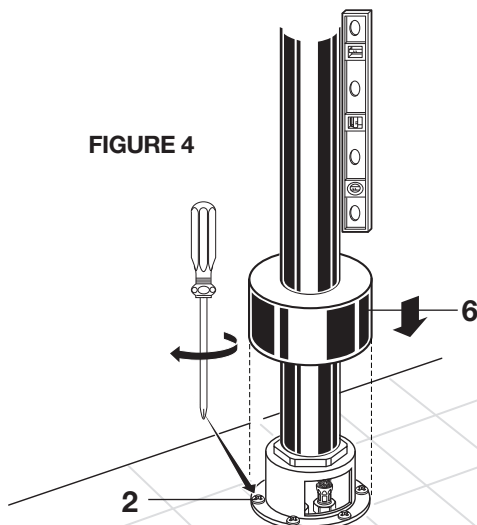
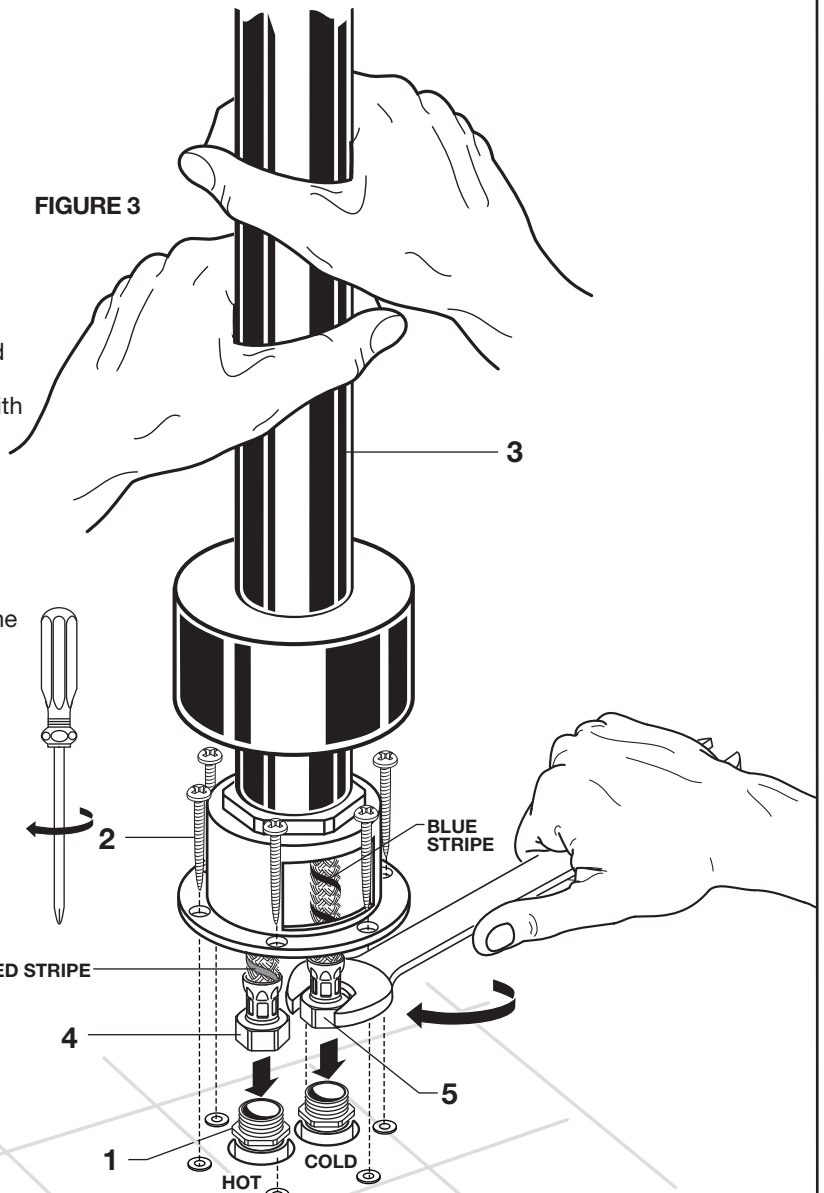
INSTALL WATER SUPPLIES AND ADAPTERS

- Install the Hot and Cold water supplies through the floor as illustrated. The supplies are 1/2" (13mm) NPTF. The 1/2" NPTF supplies should not extend more than a 1/4" (6mm) max. above the finished floor. **FIGURES 1 and 2.**
- Apply sealing tape (SUPPLIED) to the threads on the longer side of the HOSE ADAPTERS (1). Thread the HOSE ADAPTERS (1) into the floor supplies and tighten fully. **FIGURE 1.**



Note: Two people will be needed to install the TUB FILLER ASSEMBLY (3), one holding the assembly and one making the supply connections.

- While holding the TUB FILLER ASSEMBLY (3) in place over the floor and water supplies, connect the FLEXIBLE HOT and COLD WATER SUPPLY LINES (4, 5) to the HOSE ADAPTERS (1). **FIGURE 3.**
- Connect the HOT WATER SUPPLY HOSE (4) (marked with red stripe) to the Hot water supply from the floor and the COLD WATER SUPPLY HOSE (5) (marked with blue stripe) to Cold water supply from the floor. Use an adjustable wrench or 7/8" (22mm) open end wrench to tighten connections. Do not over tighten.
- Hold the TUB FILLER ASSEMBLY (3) in place and install the six MOUNTING SCREWS (2).
- Check alignment and level before final tightening of the MOUNTING SCREWS (2). Push FLANGE COVER (6) flush against finished floor. **FIGURE 4.**



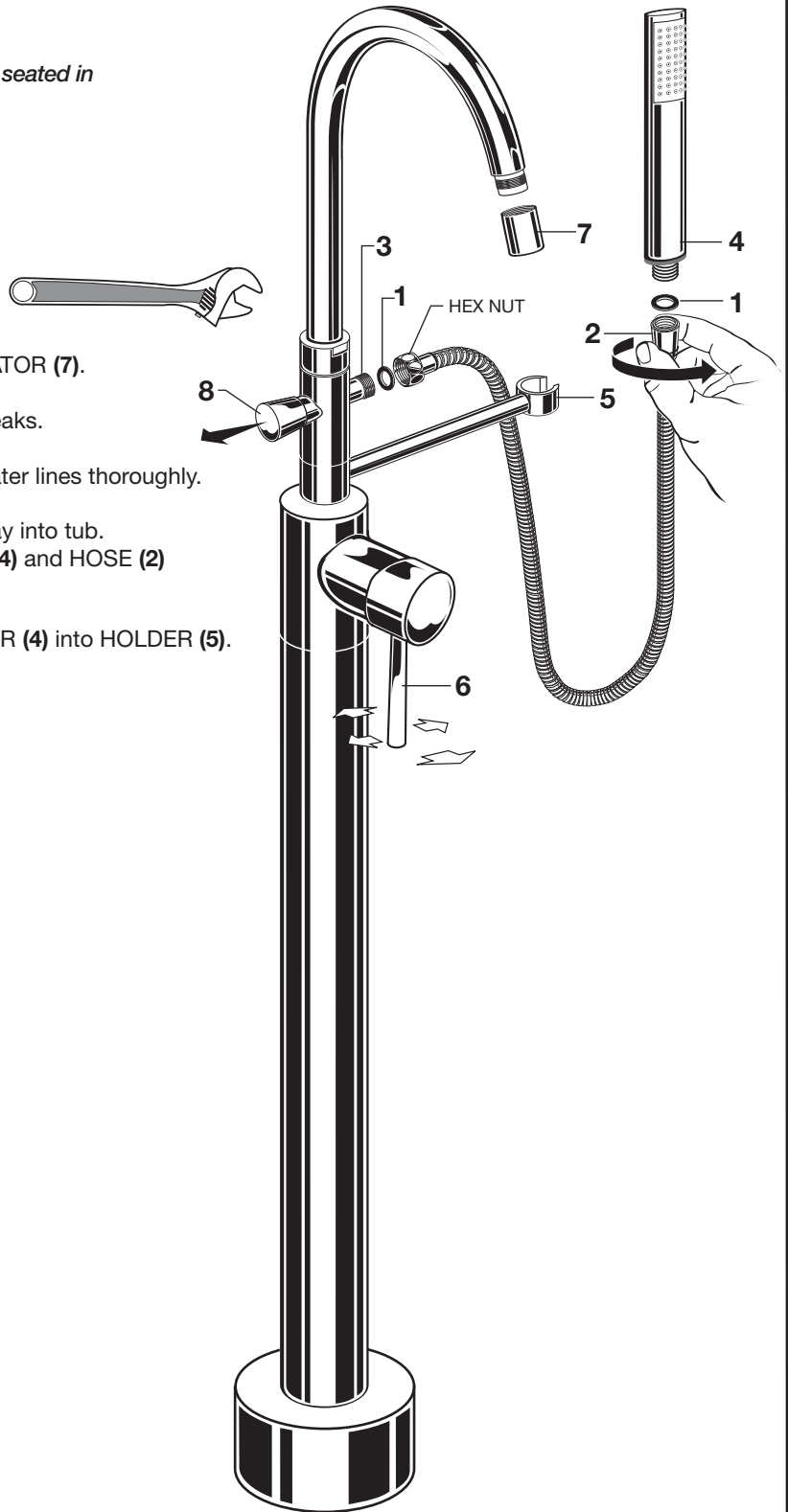
4 INSTALL HAND SHOWER

- Install SEALS (1) on both ends of the SPRAY HOSE (2) and connect the one end with the hex nut to the TUB FILLER ASSEMBLY (3) using an adjustable wrench. Hand tighten the connection to the HAND SHOWER (4).

Note: When not in use, the HAND SHOWER (4) should be seated in the HOLDER (5).

5 TEST INSTALLED FAUCET

- Move HANDLE (6) into “off” position and remove AERATOR (7).
- Turn on water supplies and check all connections for leaks.
- Operate HANDLE (6) on to off, hot and cold to flush water lines thoroughly.
- Lift HAND SHOWER (4) from the holder and direct spray into tub. Pull DIVERTER KNOB (8) and check HAND SHOWER (4) and HOSE (2) connections for leaks.
- Push DIVERTER KNOB (8) in and place HAND SHOWER (4) into HOLDER (5).





AMERICAN STANDARD

Contemporary Free Standing Floor Mount Tub Filler

MODEL NUMBER

D35901.971

Replace the "YYY" with appropriate finish code

POLISHED CHROME	100
BRUSHED NICKEL	144

