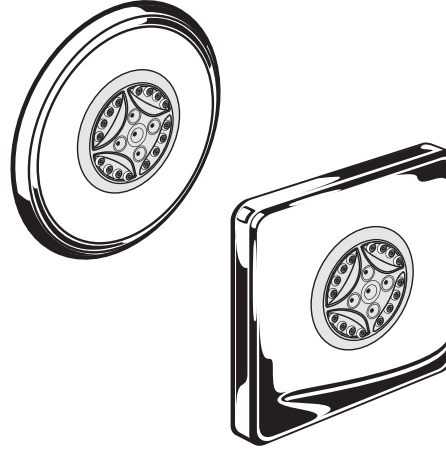


# INSTALLATION INSTRUCTIONS

## Multi Functional Body Spray

**Transitional™**  
**Model D35700.400**

**Square™**  
**Model D35700.410**



AMERICAN STANDARD

*Thank you for selecting DXV by American Standard.  
 To ensure that your installation proceeds smoothly,  
 please read these instructions carefully  
 before you begin.*

### RECOMMENDED TOOLS AND MATERIALS

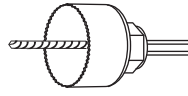
Most of the procedures require the use of common tools and materials, which are available from hardware and plumbing, supply stores. It is essential that the tools and materials be on hand before work is begun.



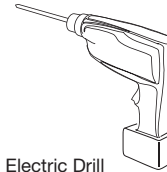
Pipe Wrench



Teflon Tape



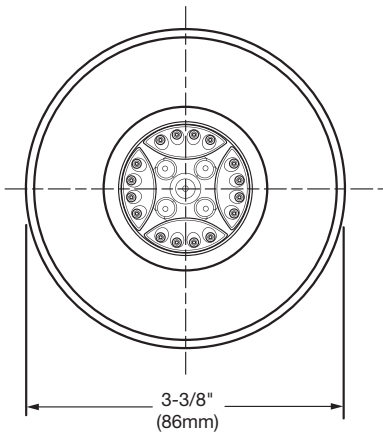
2-3/4" DIA.  
(70mm) Hole Saw



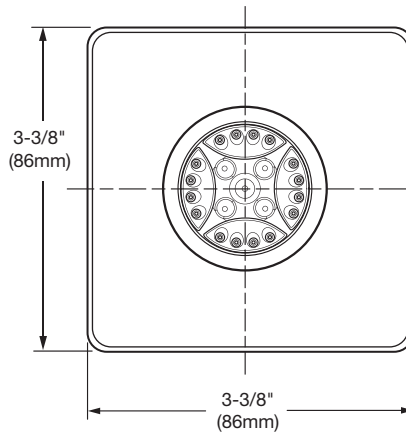
Electric Drill

### ROUGHING-IN DIMENSIONS:

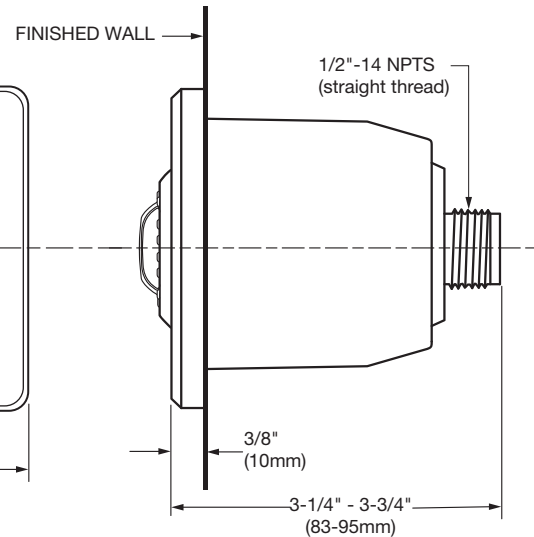
- For reference



**Model D35700.400**



**Model D35700.410**



SAVE FOR FUTURE USE

#### In the United States:

DXV by American Standard  
 One Centennial Avenue  
 Piscataway, New Jersey 08855  
 Attention: Director of Customer Care

For residents of the United States, warranty information may also be obtained by calling the following toll free number: (800) 227-2734  
[www.DXV.com](http://www.DXV.com)

#### In Canada:

DXV by American Standard  
 5900 Avebury Road  
 Mississauga, Ontario  
 L5R 3M3  
 Canada

Toll Free: 1-800-387-0369  
 Local: 905-306-1093  
 Fax: 1-800-395-1498  
[www.DXV.ca](http://www.DXV.ca)

#### In Mexico:

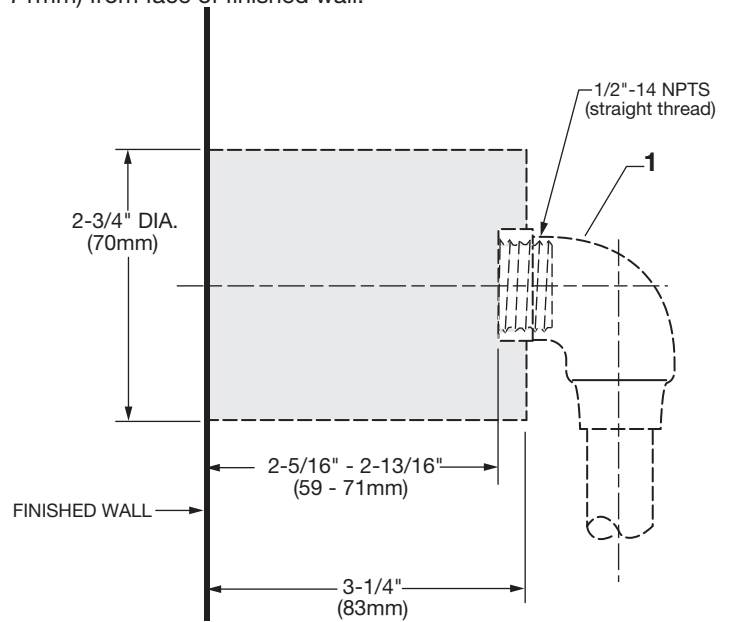
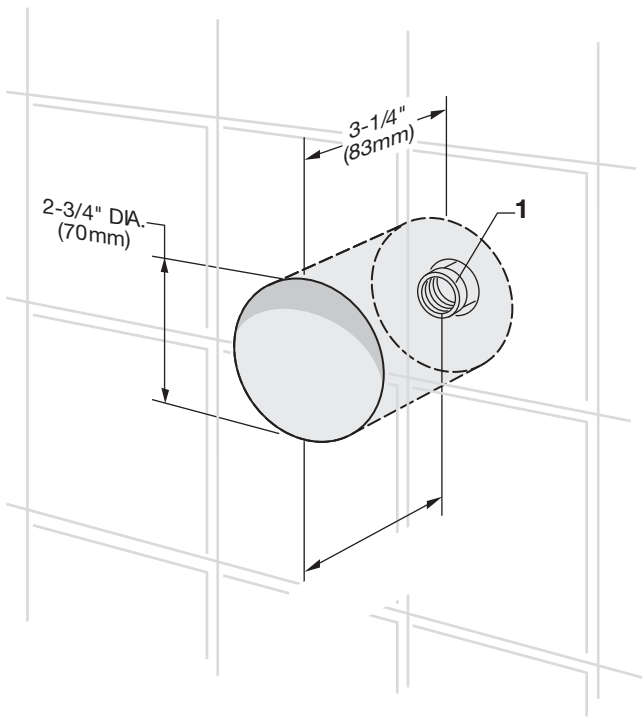
DXV by American Standard  
 Via Morelos 330  
 Col. Santa Clara Coatitla  
 Ecatepec, Estado de México 55540

Toll Free: 01-800-8391200  
[www.DXV.mx](http://www.DXV.mx)

# 1 INSTALL SUPPLY PIPING

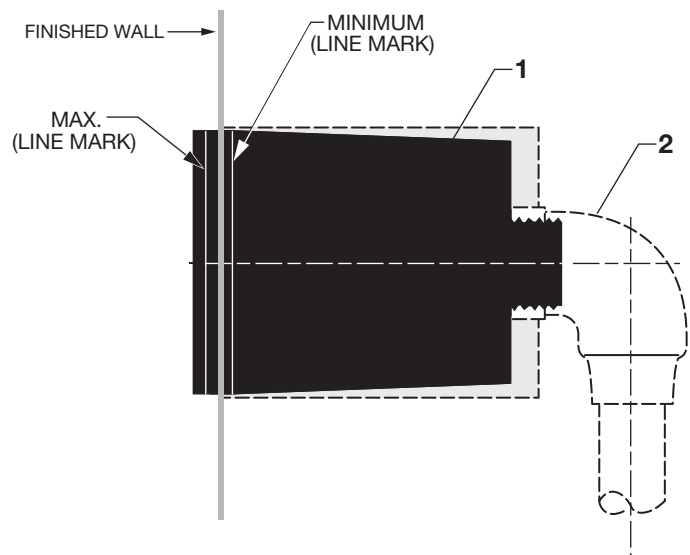
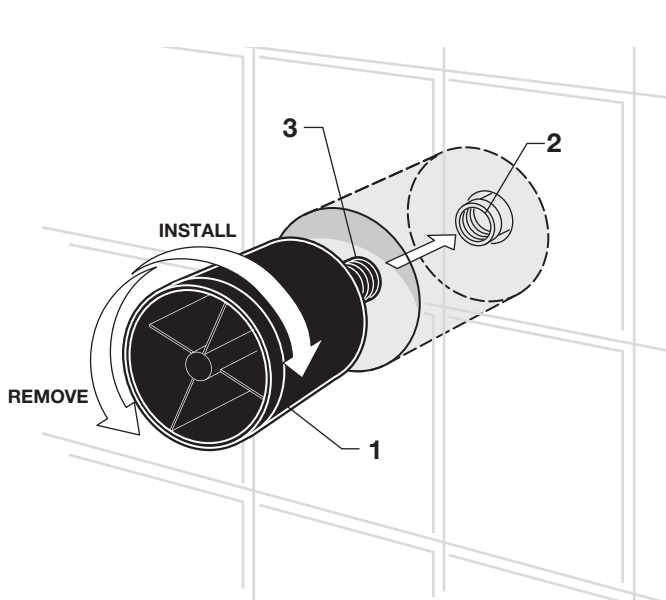
**CAUTION** Turn off hot and cold water supplies before beginning.

- Provide a installation hole 2-3/4" DIA., (70mm) and 3-1/4", (83mm) deep.
- Install a 1/2"-14 NPTS INLET PIPE (1) 2-5/16" - 2-13/16" (59-71mm) from face of finished wall.



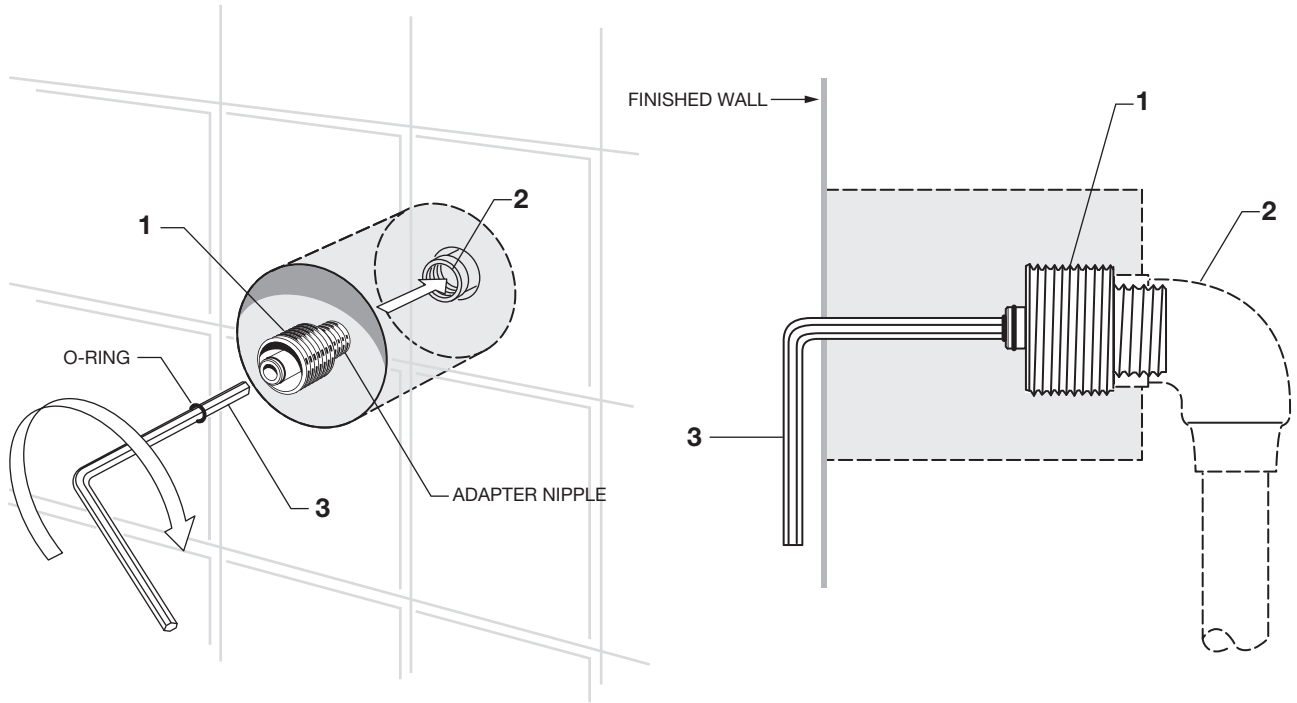
# 2 INSTALL PLASTER GUARD

- Apply Teflon sealing tape to PLASTER GUARD NIPPLE (3).
- Thread the PLASTER GUARD (1) into INLET PIPE (2) **Note:** The Finished wall must be between the Min. and Max. lines on the PLASTER GUARD (1).
- Complete all tiling and wall work.
- When walls are finished remove PLASTER GUARD (1).



### 3 INSTALL BRASS ADAPTER

- Apply Teflon sealing tape to BRASS ADAPTER NIPPLE. Install the BRASS ADAPTER (1) into the INLET PIPING (2).
- Use O-RING end of HEX WRENCH (3) supplied to tighten BRASS ADAPTER (1) flush against INLET PIPING (2).



### 4 INSTALL BODY SPRAY

- Thread BODY SPRAY (1) onto the BRASS ADAPTER (2) until FLANGE (3) is flush against finished wall and FLANGE GASKET (4) is compressed.
- Turn on water supply and test installed BODY SPRAY (1) for leaks and proper operation.

