

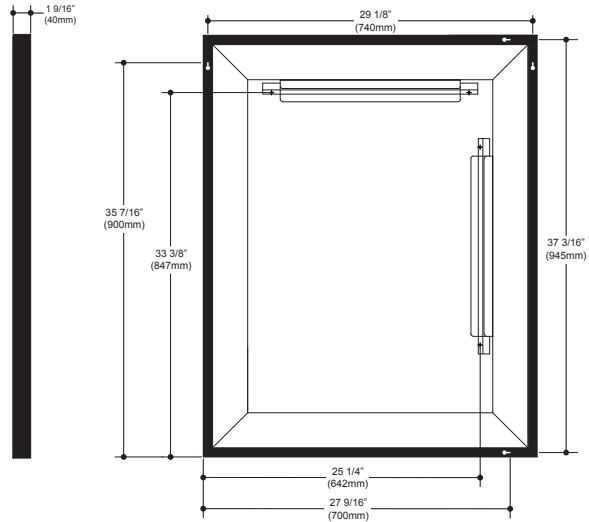
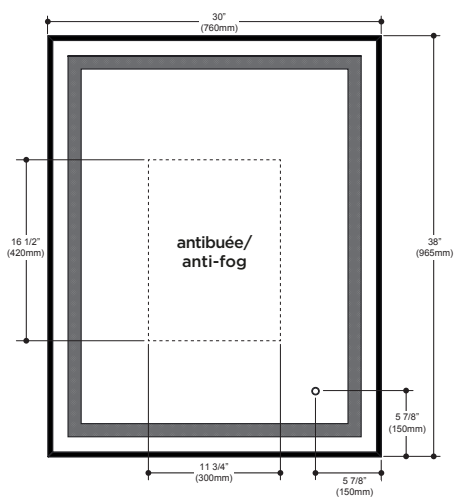
Effect




LED-illuminated rectangular mirror with frosted strip, black frame and touch-switch for color temperature control



FEATURES	
Code	MR1784-570-001
Packaging mm (in)	1085 x 870 x 90 (42.7 x 34.3 x 3.5)
Mirror thickness	4 mm
Weight kg (lb)	15 (33.1)
Certification	cUL_{us}
Anti-fog system	Included
Magnifying mirror (3X)	Not available
Reversible	Yes
Total thickness	40 mm (1 9/16")

LIGHTING	
Power (watt)	53.8 W
Input (volt)	120 V
Lumens	1603 lm
Color temperature controlled by maintaining the touch-switch	from 2700k to 6000k
Frequency	60 Hz
Color Rendering Index (CRI)	90+



-  Touch Switch
-  Frosted strip
-  Anti-fog