

Talis S²
HighArc Kitchen Faucet, 1-Spray Pull-Down, 1.75 GPM
 Finish: **Chrome** Part no. : **14872001**



Description

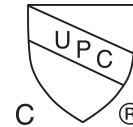
Features

- Swivel range 150°
- Aerated spray
- MagFit magnetic shower holder
- Deck-mounted
- Maximum flow rate (at 3 bar): 6.6 l/min
- Ceramic cartridge
- G 3/8 hose connections
- Integrated non-return valve
- Single handle kitchen faucet, connection hoses, fixation set, installation manual

Technology



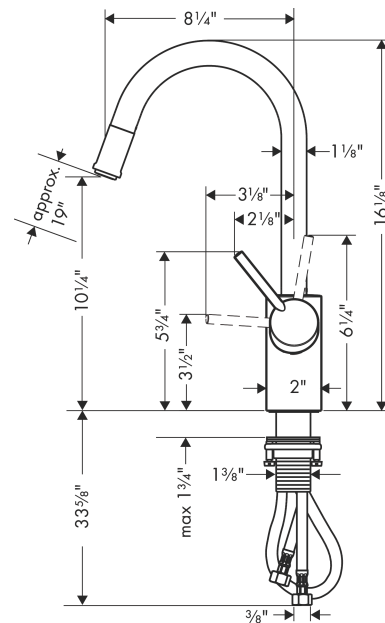
Compliance / Sustainability



Product image



Scale drawing

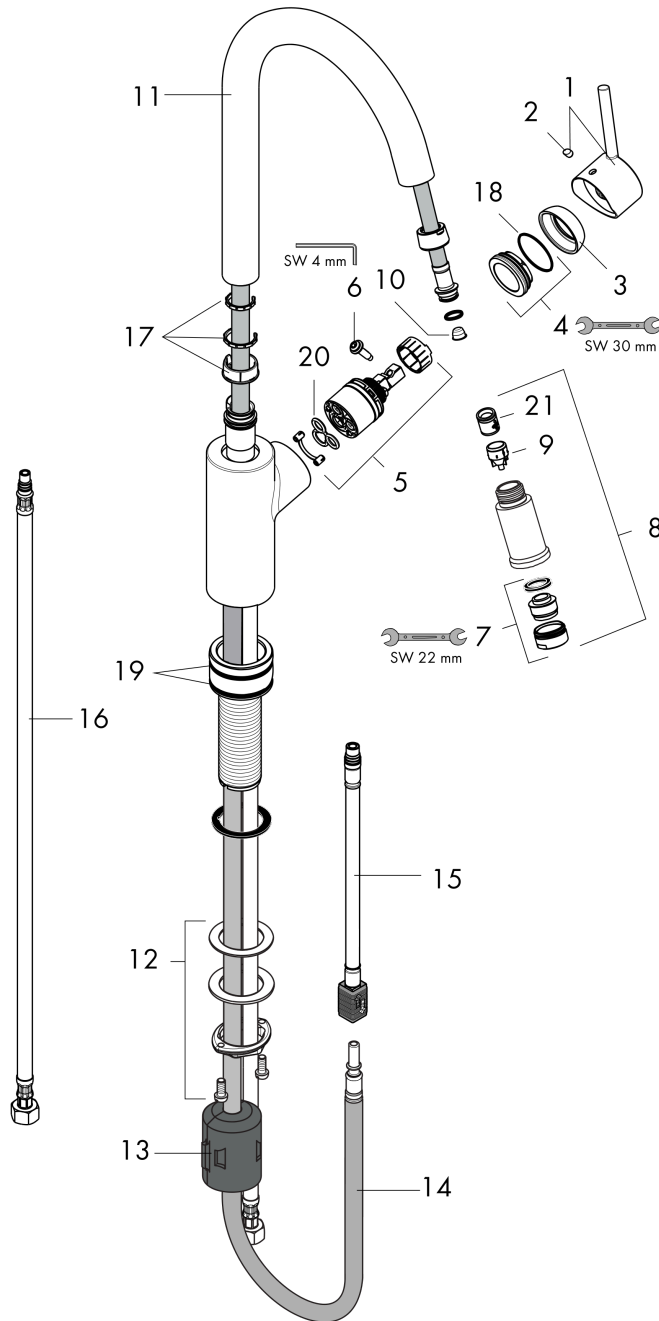


Talis S²
HighArc Kitchen Faucet, 1-Spray Pull-Down, 1.75 GPM
 Finish: **Chrome** Part no. : **14872001**



Exploded drawing

Year of production: >11/20



Talis S²
HighArc Kitchen Faucet, 1-Spray Pull-Down, 1.75 GPM
 Finish: **Chrome** Part no. : **14872001**



Spare parts list

Year of production: >11/20

Pos.	Description	Part no.	PC	PU
1	handle	95560000	0	1
2	screw cover	96338000	0	1
3	flange	95498000	0	1
4	nut	97209000	0	1
5	cartridge, assy	92730000	0	1
6	locking screw for handle	95140000	0	1
7	aerator M24x1 (15 l/min)	13913000	0	1
8	handspray	88659000	0	1
9	set of non return valves DW 15	97350000	0	1
10	filter	97735000	0	1
11	spout cpl.	95562000	0	1
12	fixing set (Ø 34)	95049000	0	1
13	weight	98551000	0	1
14	hose 1,50 m	88624000	0	1
15	connection hose 600 mm M10x1	95561000	0	1
16	connection hose 35½" M8x0,75 3/8"	96316001	0	1
17	set of lever collars	98365000	0	1
18	O-Ring 32x2	98193000	0	1
19	O-ring 41x2	98212000	0	1
20	seal	95008000	0	1
21	non return valve	93218000	0	1
a	insert for spout	92161000	0	1