

PuraVida

Pressure Balance Trim

Finishes : **chrome** Part no. : **15407001**

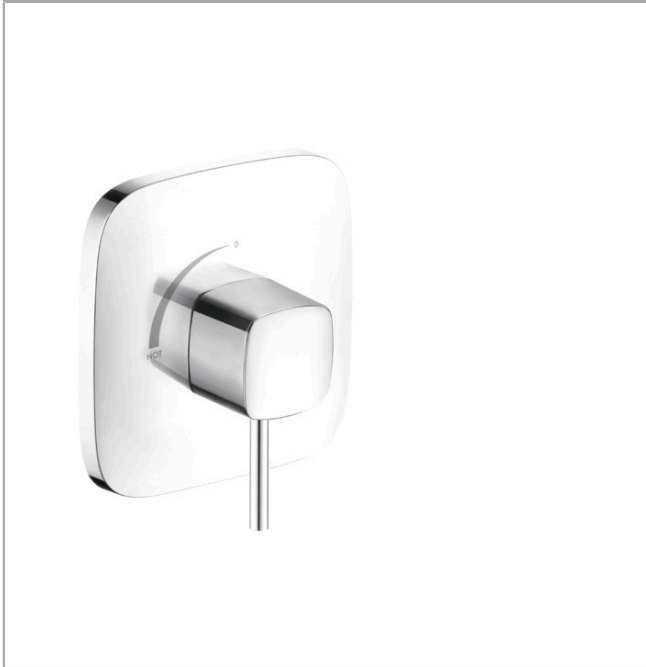


Description

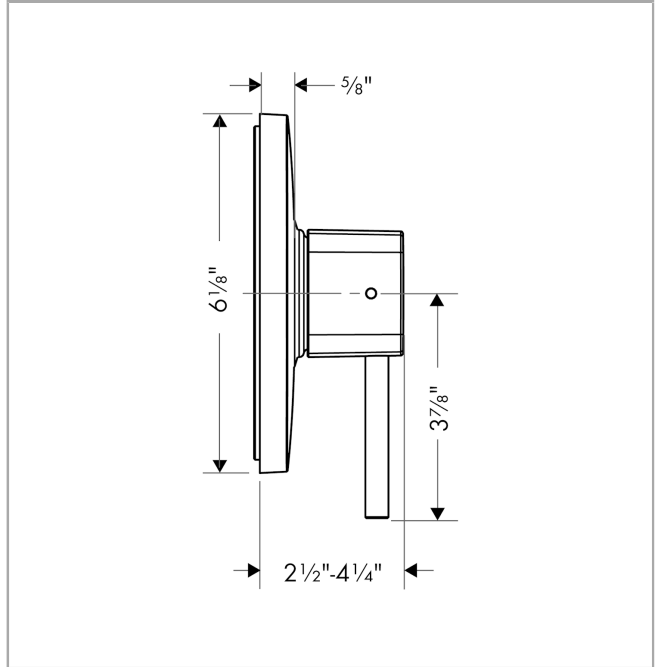
Features

- Flow: 5.44 GPM (20.6 L/Min)
- flow rate at 3 bar: 5.44 GPM (20.6 L/Min)
- Integrated bypass for use with diverter tub spouts
- Temperature and on/off control for 1 outlet

Product image



Scale drawing

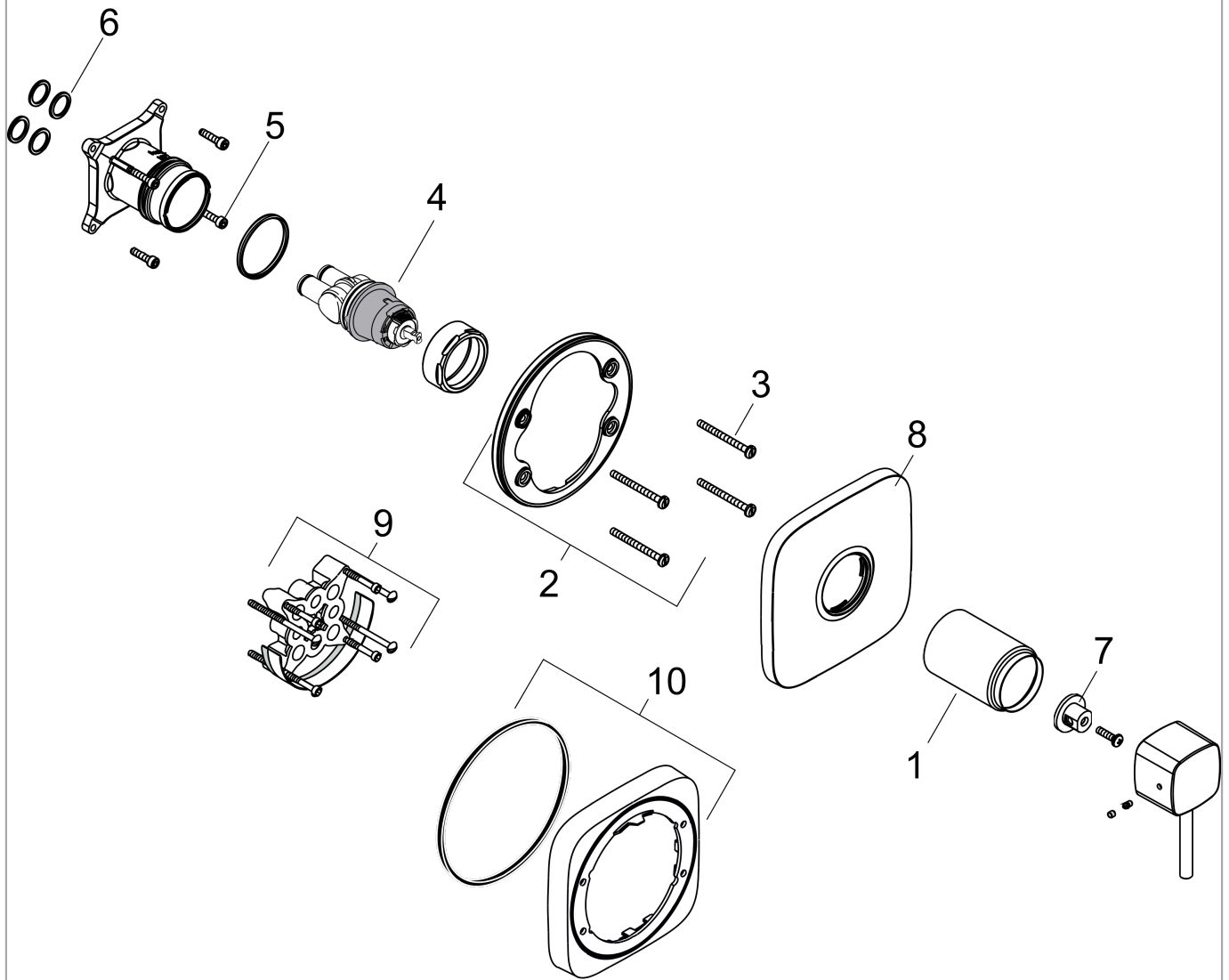


PuraVida
Pressure Balance Trim
 Finishes : **chrome** Part no. : **15407001**



Exploded drawing

Year of production: >08/10



PuraVida
Pressure Balance Trim
 Finishes : **chrome** Part no. : **15407001**



Spare parts list

Year of production: >08/10

Pos.	Description	Part no.	PC	PU
1	sleeve	88765000	0	1
2	holder for escutcheon	98793000	0	1
3	set of fixing screws	96454000	0	1
4	cartridge, assy	88727000	0	1
5	set of screws	96525000	0	1
6	O-ring 16x2	98133000	0	1
7	adapter for handle	92756000	0	1
8	escutcheon	88780000	0	1
9	extension 25 mm	13595000	0	1
10	extension 22 mm	15597000	0	1
a	base body	01850181	0	1