

# INSTALLATION INSTRUCTIONS



## Oak Hill™ Vanity

Models: D19010030.620  
D19010030.239

AMERICAN STANDARD

Thank you for selecting DXV by American Standard. To ensure this product is installed properly, please read these instructions carefully before you begin. (Certain installations may require professional help.) Also be sure your installation conforms to local codes.

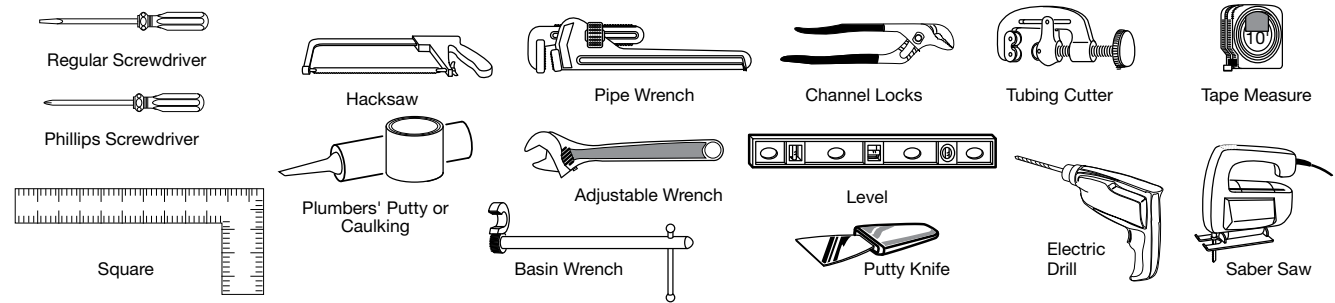
To maintain the beauty of the finish, avoid placing the furniture in direct sunlight, as sunlight causes fading. Also avoid extreme changes in temperature by arranging furniture away from radiators, heat and air vents, and air conditioning units. Avoid placing furniture directly under windows.

**⚠ CAUTION: PRODUCT IS FRAGILE. TO AVOID BREAKAGE AND POSSIBLE INJURY HANDLE WITH CARE!**

NOTE: Pictures may not exactly define contour of china and components.

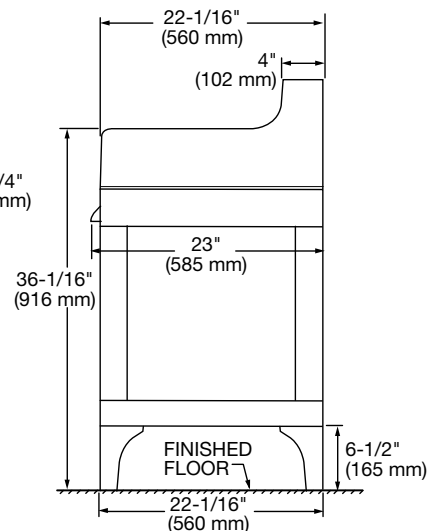
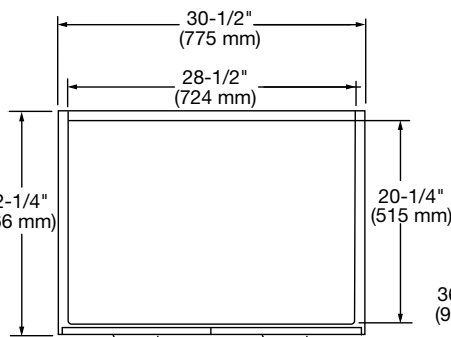
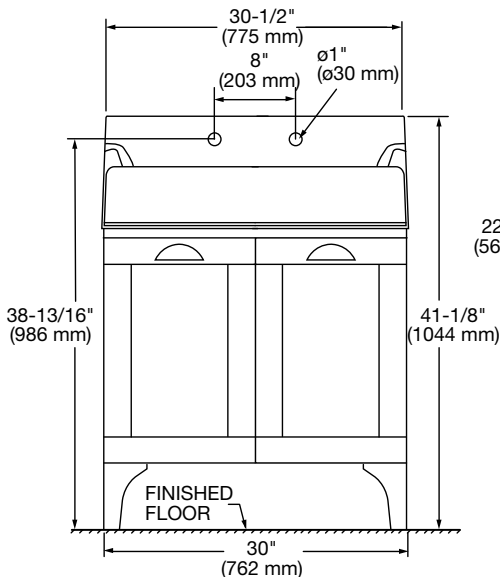
### RECOMMENDED TOOLS AND MATERIALS

Most of the procedures require the use of common tools and materials, which are available from hardware and plumbing supply stores. It is essential that the tools and materials be on hand before work is begun.



### ROUGHING-IN DIMENSIONS:

• For reference



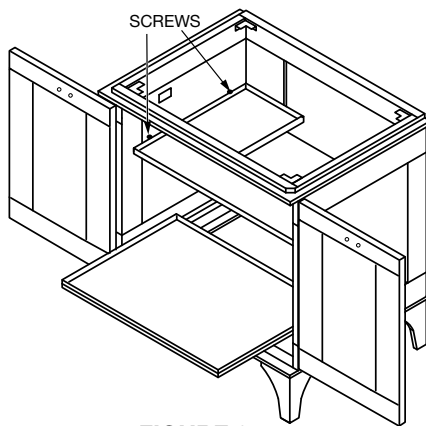
**IMPORTANT:**

THE OAK HILL LAVATORY (MODEL D20155) CANNOT BE INSTALLED AS A WALL HUNG LAVATORY. THE LAVATORY MUST BE INSTALLED USING THE OAK HILL CONSOLE STAND OR VANITY.

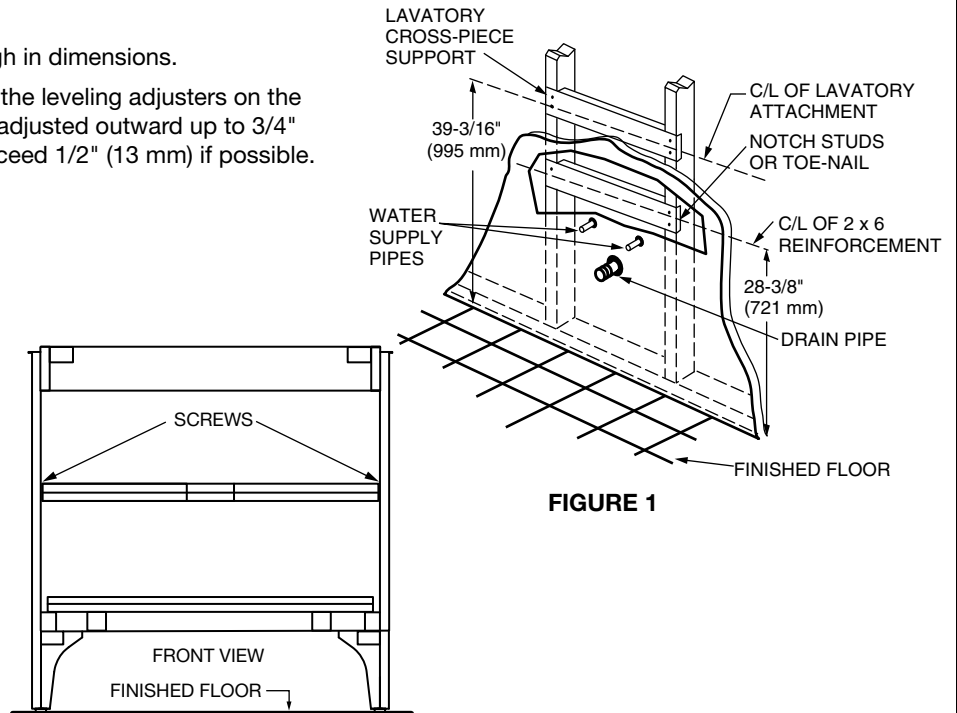
S A V E F O R F U T U R E U S E

## VANITY INSTALLATION

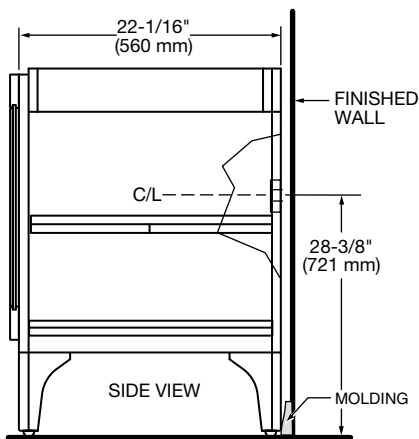
- Provide suitable reinforcement required for anchoring the vanity to the wall. Centerline of reinforcement should be 28-3/8" (721 mm) up from the floor. **Figure 1**
- Open vanity doors. Remove the four screws holding the top shelf in place. Remove the top shelf. Gently pull out the bottom shelf until it stops. Press the locking lever underneath the metal slides on both the left and right sides of the shelf and lift shelf out of the vanity. **Figure 2**
- If molding is present, it will need to be notched to set the vanity flush against the wall. **Figure 3**
- Rough in supply lines and waste per rough in dimensions.
- Move the vanity into place and level with the leveling adjusters on the bottom of the feet. The adjusters can be adjusted outward up to 3/4" (19 mm) but it is recommended not to exceed 1/2" (13 mm) if possible. **Figure 4**



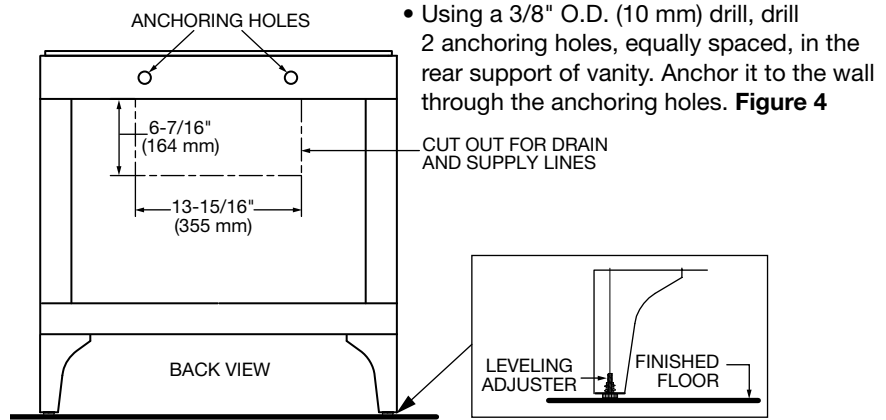
**FIGURE 2**



**FIGURE 1**



**FIGURE 3**



**FIGURE 4**

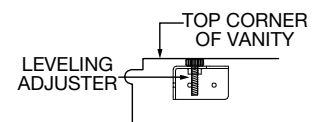
- Using a 3/8" O.D. (10 mm) drill, drill 2 anchoring holes, equally spaced, in the rear support of vanity. Anchor it to the wall through the anchoring holes. **Figure 4**

## INSTALL THE OAK HILL LAVATORY

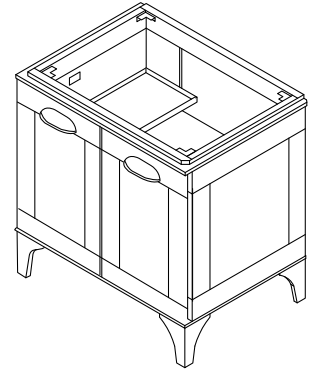
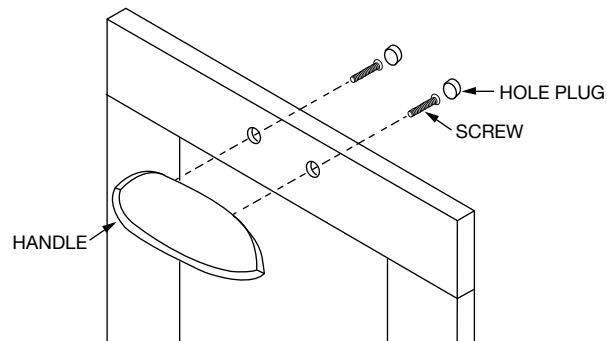
- Install the Oak Hill lavatory (D20155002.415) per instructions.

**NOTE:** Use the leveling adjusters in the top corners of the vanity to ensure that the lavatory is level.

After the lavatory and faucet installations have been completed, re-install the bottom and top shelves. Install the handles on the doors using the screws provided. Insert the hole covers into the holes so the screws are not visible.



## HANDLE INSTALLATION



## LIMITED WARRANTY

If inspection of this DXV by American Standard plumbing product, within one year after its initial purchase, confirms that it is defective in materials or workmanship, DXV by American Standard will repair or, at its option, exchange the product for a similar model. Variations in actual wood color and finishes which may result from natural characteristics of the wood, such as grain patterns, mineral streaks and the like, are not defects and are not covered by this warranty.

This warranty applies only to the original purchaser and installation of these products. In the event of a claim, proof of purchase will be required; save your receipt.

This limited warranty does not apply to local building code compliance. Since local building codes vary considerably, the purchaser of this product should check with a local building or plumbing contractor to insure local code compliance before installation.

This warranty is void if the product has been moved from its initial place of installation; if it has been subjected to faulty maintenance, abuse, misuse, accident or other damages; if it was not installed in accordance with DXV by American Standard's instructions; or if it has been modified in a manner inconsistent with the product as shipped by DXV by American Standard.

DXV by American Standard's option to repair or exchange the product under this warranty does not cover any labor or other costs of removal or installation, nor shall DXV by American Standard be responsible for any other incidental or consequential damages attributable to a product defect or to the repair or exchange of a defective product, all of which are expressly excluded from this warranty. This limited warranty does not cover any liability for consequential or incidental damages, all of which are hereby expressly disclaimed, or the extension beyond the duration of this limited warranty of any implied limited warranties, including those of merchantability or fitness for an intended purpose. (Some states or provinces do not allow the exclusion or limitation of implied warranties, so this exclusion may not apply to you).

This warranty gives you specific legal rights. You may have other statutory rights that vary from state to state or province to province, in which case this warranty does not affect such statutory rights.

## CARE AND USE

DXV's furniture is built with tradition in mind. Variations in actual wood color and finishes which may result from natural characteristics of wood, such as grain patterns, mineral streaks and the like, are not considered defects. As wood continues to age you may notice these slight differences in color. Sound knots and slight surface cracks are true personality characteristics of a quality piece of wood furniture. In order to maintain the finish you should clean with a soft, slightly damp cloth and then buff with a dry cloth. Wood furniture should never be dragged across the floor. The added stress from dragging the unit may cause the dragged edge to splinter or joints to loosen. Following these practices will help maintain the beauty and lustre of your furniture.

In order to maintain the finish you should clean with a soft, slightly damp cloth and then buff with a dry cloth. Wood furniture should never be dragged across the floor. The added stress from dragging the unit may cause the dragged edge to splinter or joints to loosen. Following these practices will help maintain the beauty and lustre of your furniture.

**Regular Exterior Cleaning** requires only wiping with a damp cloth and drying with a soft, clean cloth.

**Remove Oil, Grease or General Soil** using a clean cloth dampened with a solution of mild soap, such as Murphy's Oil® Soap and water. Dry thoroughly.

**Never** use soap pads, steel wool, self polishing waxes or cleaners that contain bleach, ammonia or abrasives.

**Preserve Your Finish by Removing Excess Water**

Lestoil® is a registered trademark of The Clorox Company.  
Lysol® is a registered trademark of Reckitt Benckiser LLC.  
Dow® is a registered trademark of The Dow Chemical Company.  
Formula 409® is a registered trademark of The Clorox Company.  
Tilex® is a registered trademark of The Clorox Company.  
Nair® is a registered trademark of Church & Dwight Co., Inc.

### **In the United States:**

DXV by American Standard  
One Centennial Avenue  
Piscataway, New Jersey 08855  
Attention: Director of Customer Care

For residents of the United States, warranty information may also be obtained by calling the following toll free number: (800) 227-2734  
[www.DXV.com](http://www.DXV.com)

### **In Canada:**

DXV by American Standard  
5900 Avebury Road  
Mississauga, Ontario  
L5R 3M3  
Canada

Toll Free: 1-800-387-0369  
Local: 905-306-1093  
Fax: 1-800-395-1498  
[www.DXV.ca](http://www.DXV.ca)

### **In Mexico:**

DXV by American Standard  
Via Morelos 330  
Col. Santa Clara Coatitla  
Ecatepec, Estado de México 55540

Toll Free: 01-800-8391200  
[www.DXV.mx](http://www.DXV.mx)