

# Naturelle 34 SK L/R



MODEL	A	B	C	D	E	F	G
Naturelle 34 SK L/R	59 <sup>3</sup> / <sub>4</sub> 1518mm	33 <sup>3</sup> / <sub>4</sub> 858	10 254	16 <sup>5</sup> / <sub>8</sub> 422	2 50	21 <sup>3</sup> / <sub>8</sub> 543	18 <sup>1</sup> / <sub>4</sub> 464

## Specifications

Venco acrylic bathware is manufactured from .125 gauge solid acrylic sheet, reinforced with heavy-duty fibreglass to provide a sanitary, unbroken, smooth surface. Reinforcing and contouring gives added strength. Venco bathware is warranted against factory defects for five years.

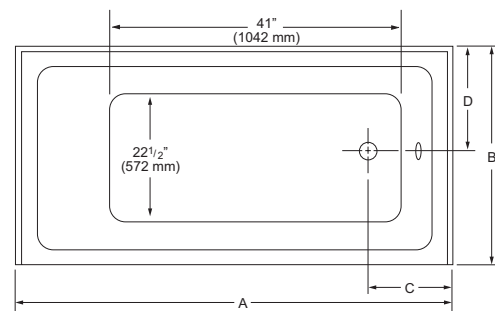
*All product measurements are to the outside of flange. Measurements plus (+) or minus (-) 1/4".*

*All Venco Products are Canadian Standards Association certified.*

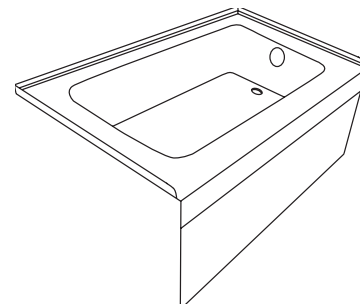
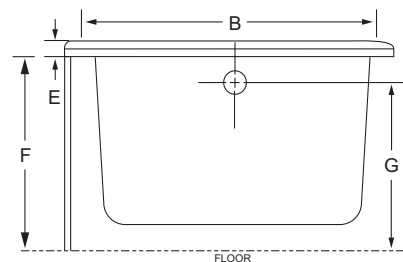


7584 Vantage Place, Delta, BC V4G 1A5  
Phone: 604-940-4960 Fax: 604-940-9733  
Email: [venco@telus.net](mailto:venco@telus.net)  
[www.venco.ca](http://www.venco.ca)

TOP VIEW



END VIEW



Water capacity (Imperial Gallons)

MODEL	MIN	MAX
Naturelle 34 SK L/R	28	60