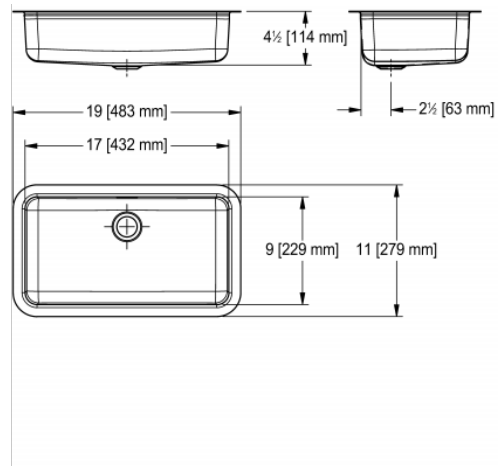


WB1119U/5

WB1119U/5 | 2030011933



Single compartment undermount vanity basin. 18 gauge (1.2 mm), type 304 (CNS 18/10) stainless steel. Exposed surfaces are #4 satin finished. Undercoated to reduce condensation and resonance. Includes cutout template. Certified to ASME A112.19.3-2008 / CSAB45.4-08. Wheelchair accessible: meets ADA (Americans with disabilities act guidelines), ANSI A117.1 (Accessible and usable buildings and facilities), and CSA B651-04 (Accessible design for the built environment). Check local codes to ensure compliance. Center back waste location, accepts 1 1/4" (32 mm) waste assembly (not included).

TECHNICAL DATA

type of basin	vanity basin
bowl depth	4 1/2"
Bowl finish	SATIN-FINISHED
Bowl front to back	9"
Bowl left to right	17"
gross weight	5.04 kg
material	STAINLESS-STEEL
material thickness	1/16"
material thickness grade	18 gauge (1.2 mm)
noise prevention	yes
Overall front to back	11"
overall height	11"
Overall left to right	19"
overflow	no
Cabinet finish	satin finished
type of mounting	undermount
undercoated	yes
waste hole position	centre back
waste kit included	no
waste size	DN 32
net weight	4.34 kg
Wheelchair compliant	yes
Faucet ledge	No

PROJECT INFORMATION

Item Location _____

Project Number _____

Quote Number _____

Notes _____

Engineer's Approval

