



CHAMPION® 4 ELONGATED RIGHT HEIGHT™ ONE-PIECE TOILET

2034 314

- Vitreous china
- Permanent EverClean™ anti-microbial surface
- Includes **CHAMPION®** Elongated Slow Close Seat
- Low-consumption (6.0 Lpf/1.3 gpf)
- Features **CHAMPION® 4 Flushing System** performance platform
- 4" (102mm) non-adjustable, piston action Accelerator™ flush valve
- Rim height at 16-1/2" (419mm)
- Elongated siphon jet action bowl
- 2-3/8" (60mm) fully-glazed trapway
- Chrome trip lever
- 100% factory flush tested
- 2 bolt caps
- 10 year warranty



Nominal Dimensions:

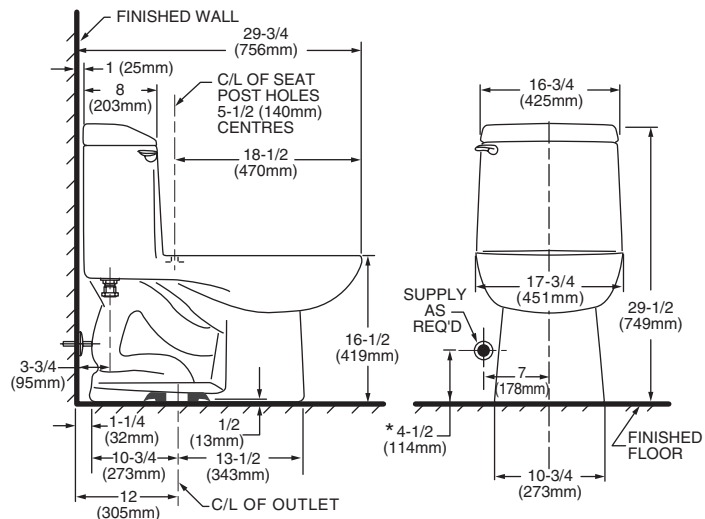
756 x 451 x 749mm

(29-3/4" x 17-3/4" x 29-1/2")

Compliance Certifications -

Meets or Exceeds the Following Specifications:

- ASME A112.19.2M (and 19.6M)
- CAN/CSA B45 series



To Be Specified

- Colour:
- Champion® Slow Close Seat EL: #5325 010
- Seat: American Standard #5324 019 "Rise and Shine" (with easy to clean lift-off hinge system) solid plastic, closed front, elongated seat with cover. See Price Book.
- Supply with stop:

NOTES:

THIS TOILET IS DESIGNED TO ROUGH-IN AT A MINIMUM DIMENSION OF 305MM (12") FROM FINISHED WALL TO C/L OF OUTLET. SUPPLY NOT INCLUDED WITH FIXTURE AND MUST BE ORDERED SEPARATELY. * DIMENSION SHOWN FOR LOCATION OF SUPPLY IS SUGGESTED. FOR ADDITIONAL INFORMATION REFER TO INSTALLATION INSTRUCTIONS SUPPLIED. IMPORTANT: Dimensions of fixtures are nominal and may vary within the range of tolerance established by ANSI Standard A112.19.2 These measurements are subject to change or cancellation. No responsibility is assumed for use of superseded or voided pages.



● When installed so top of seat is 432 to 483mm (17" to 19") from the finished floor.
MEETS THE AMERICAN DISABILITIES ACT GUIDELINES AND ANSI A117.1 REQUIREMENTS FOR ACCESSIBLE AND USEABLE BUILDING FACILITIES-CHECK LOCAL CODES.