

## Dartmouth® Pedestal Lavatory

### FEATURES

- 24-1/4" x 18-1/4"
- Elegant styling
- 34" Universal Height for maximum comfort
- Rear overflow
- Vitreous china pedestal and lavatory combination complete with mounting hardware

### MODELS

- LPT642  
Pedestal lavatory with single hole
- LPT642.4  
Pedestal lavatory with 4" faucet centers
- LPT642.8  
Pedestal lavatory with 8" faucet centers
- Available Components:
  - LT642  
Lavatory with single hole
  - LT642.4  
Lavatory with 4" faucet centers
  - LT642.8  
Lavatory with 8" faucet centers
  - PT642  
Pedestal only, with mounting hardware

### COLORS/FINISHES

- #01 Cotton
- #03 Bone
- #11 Colonial White
- #12 Sedona Beige
- #51 Ebony



Faucet sold separately

### CODES/STANDARDS

- Meets and exceeds ASME A112.19.2/CSA B45.1
- Certifications: IAPMO(cUPC), State of Massachusetts, City of Los Angeles, and others
- Code compliance: UPC, IPC, NSPC, NPC Canada, and others
- Complies with CA Prop 65 warning requirements



### PRODUCT SPECIFICATION

The lavatory shall be 24-1/4" width and 18-1/4" depth. The basin shall be 16" width by 11-1/4" depth. The lavatory shall be made of vitreous china and be 34" universal height with rear overflow. Lavatory shall be TOTO Model LPT642\_\_\_\_\_.

# LPT642

## Dartmouth® Pedestal Lavatory

### SPECIFICATIONS

- Waste 1-1/4" O.D.
- Size 24-1/4"W x 18-1/4"D
- Basin 16"W x 11-1/4"D
- Height: Floor to Rim 34"
- Warranty One Year Limited Warranty
- Material Vitreous china
- Shipping Weight LT642/LT642.4/LT642.8 44 lbs.

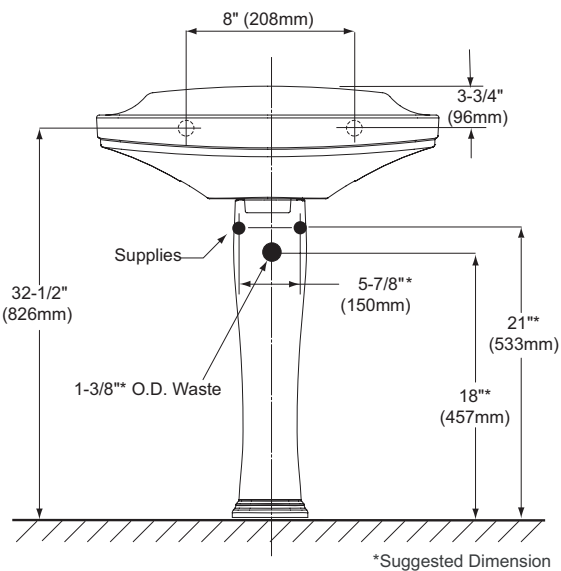
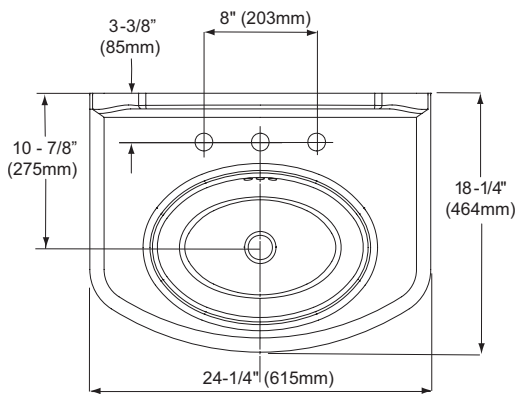
PT642  
24.5 lbs.

- Shipping Dimensions LT642/LT642.4/LT642.8 25"W X 19-1/4"D X 10-1/2"H

PT642  
30-1/2" L x 8-3/4" W x 9-3/4" H

### INSTALLATION NOTES

Requires PT642 pedestal for support. Use proper back support to mount product.



**TOTO®**

*These dimensions and specifications are subject to change without notice*