

**AXOR Urquiola**  
**Axor Urquiola Volume Control Trim**  
Finishes : **chrome** Part no. : **11960001**



## Description

### Features

- Handle, Sleeve, Metal escutcheon

### Required accessories

- Rough, Volume Control, 1/2" (#15974USA)
- Rough, Volume Control, 3/4" (#15977USA)

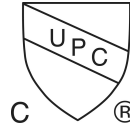
### Optional accessories

- 1" Extension Kit, Ceramic Cartridges (#96370XXX)

## Item details

List Price \$ 270.00

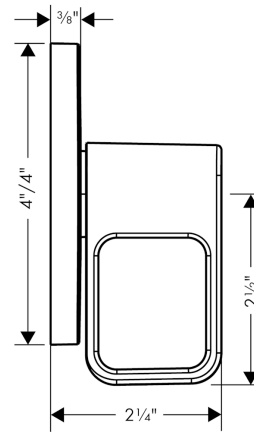
## Compliance



## Product image



## Scale drawing

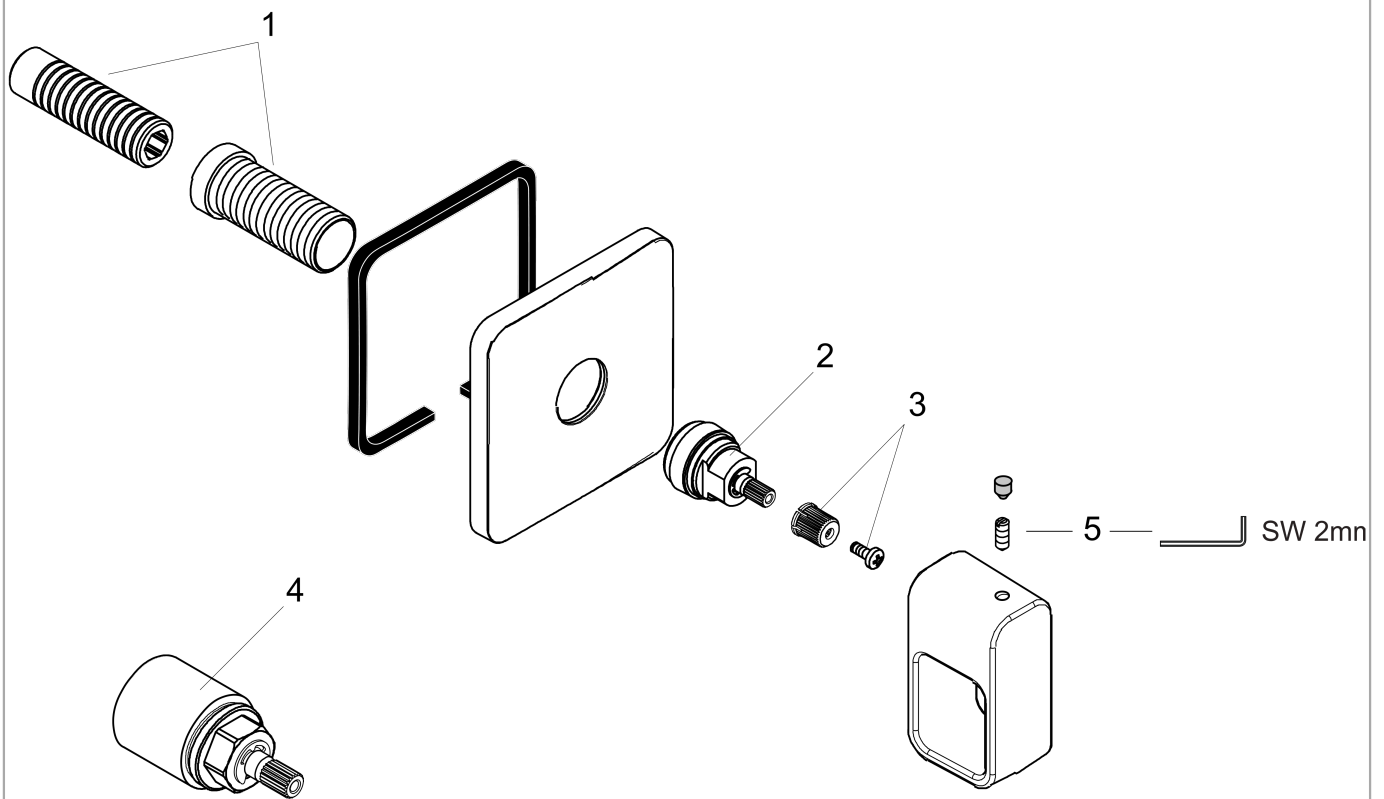


**AXOR Urquiola**  
**Axor Urquiola Volume Control Trim**  
Finishes : **chrome**    Part no. : **11960001**



## Exploded drawing

Year of production: >06/10



**AXOR Urquiola**  
**Axor Urquiola Volume Control Trim**  
 Finishes : **chrome**    Part no. : **11960001**



## Spare parts list

Year of production: >06/10

Pos.	Description	Part no.	Price	PU
1	fixing set	96393000	-	1
2	adapter for handle	95194000	-	1
3	handle fixing set	98932000	-	1
4	extension 25 mm	96370000	-	1
5	hollow set screw M4x6	97767000	-	1
a	escutcheon	95192000	-	1