

# Optik 6636 C

**Model number:**

105743

**Dimensions:** 66" x 36" x 24"

**Installation:** Drop-in

**Material:** Acrylic






## Standard Features:

- Sleek bathtub combines straight and curvaceous lines
- Inclined backrest, curvaceous inset armrests, deep bathing well
- Two deck widths for different styles of faucet
- Center drain and 4 adjustable leveling legs
- Above-the-Floor Rough (AFR)
- Undermount or drop-in installation with center drain

## Product characteristics:

- Elegant design
- Integrated Armrest
- Comfortable backrest

## Systems:

-  Hydrofeel
-  Aerofeel
-  Combined Hydrofeel/Aerofeel

## Warranty:

25 Years

## Standard colors:



## Certifications

MAAX products adhere to one or more of the following certifications:



## Options (Visit our website for a complete list of our options)

No	Description
<input type="checkbox"/> OPT 20141	Système Rest
<input type="checkbox"/> OPT 10054	Two chromatherapy lights
<input type="checkbox"/> OPT 10095	Water heater assembly
<input type="checkbox"/> OPT 10117	Optional minimalist cushion (magnetic)
<input type="checkbox"/> OPT 20139	Ozonator for whirlpool system

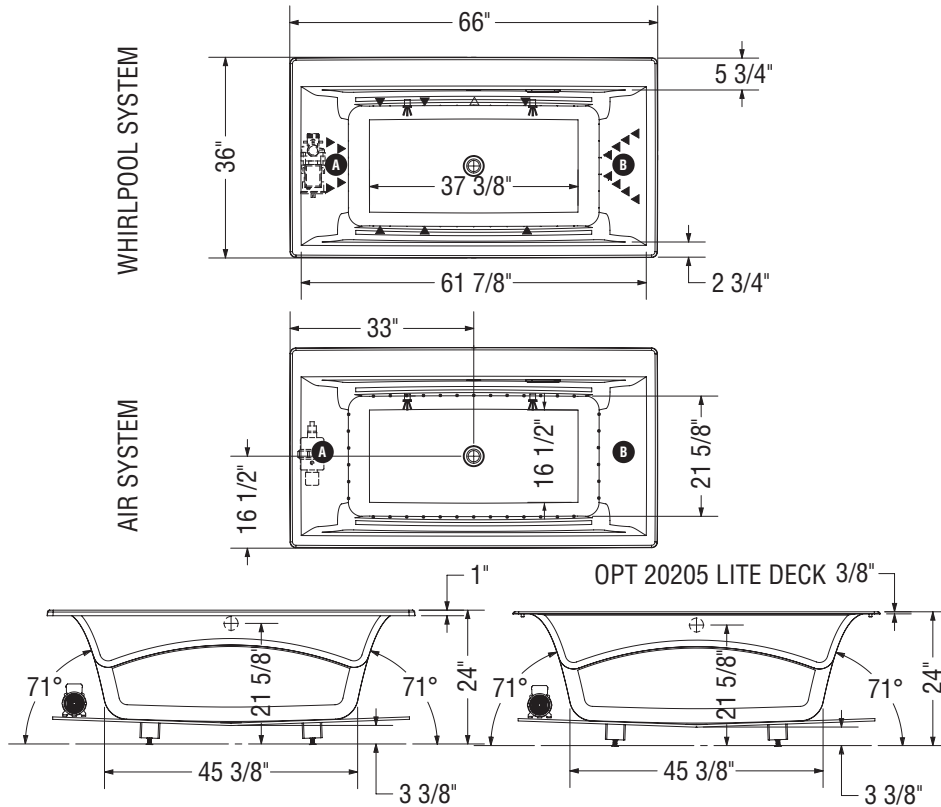
# Optik 6636 C

**Model number:** 105743

**Dimensions:** 66" x 36" x 24"

**Installation:** Drop-in

**Material:** Acrylic



**A** : Specify blower and/or pump location when ordering

- ( ▲ ) : Indicates whirlpool jets positioning
- ( △ ) : Indicates suction positioning
- ( ● ) : Indicates Aerofeel airjets positioning
- ( ☼ ) : Indicates chromatherapy light positioning

All dimensions are approximate. Structure measurements must be verified against the unit to ensure proper fit.

<b>Dimensions:</b>
66 x 36 x 24 in. (1676 x 914 x 610 mm)
<b>Water capacity:</b>
68 gallons - 259 liters
<b>Weight:</b>
60 lbs - 27.21 kg
<b>Bathing well:</b>
54 7/8 X 27 1/2 in. (1394 X 699 mm)
<b>Deep sump height:</b>
20 in. - 508 mm
<b>Deck width:</b>
5 3/4 in. - 146 mm
<b>Drain location:</b>
Center

Project:

Contractor:

Representative:

Date:

Tel:

Notes: