

# 14468

## CONCETTO™ PRESSURE BALANCE VALVE TRIM WITH CARTRIDGE

Pure Freude  
an Wasser






### STANDARD SPECIFICATION:

- GROHE StarLight®
- GROHE SilkMove®
- Metal handle
- Metal trim plate with GROHE QuickFix®
- Includes pressure balance cartridge with double ceramic technology
- Flow Rate: 5.2gpm (bottom) and 3.0 gpm (top port) at 45 psi (19 l/min)
- For use with GrohSafe 3.0 Rough-in Valve (35 110, 35 111, 35 112, 35 113, 35 114, 35 115, 35 116)



### PRODUCT FEATURES:

-  GROHE StarLight®
-  GROHE SilkMove®
-  GROHE QuickFix®

### CERTIFICATIONS:



- ADA
- CSA B125.1
- ASME A112.18.1

### AVAILABLE FINISHES:

14468000



14468EN0



NOTE: Install this product according to the installation guide. ADA, CSA compliant when installed to the specific requirements of these regulations.

Tel: 1.630.582.7711 Fax: 1.630.582.7722

We reserve the right to make revisions without notice to product specifications.

For the most current Specification Sheet, go to [www.grohe.us](http://www.grohe.us).

03-19-2020

PART OF **LIXIL**

# 14468

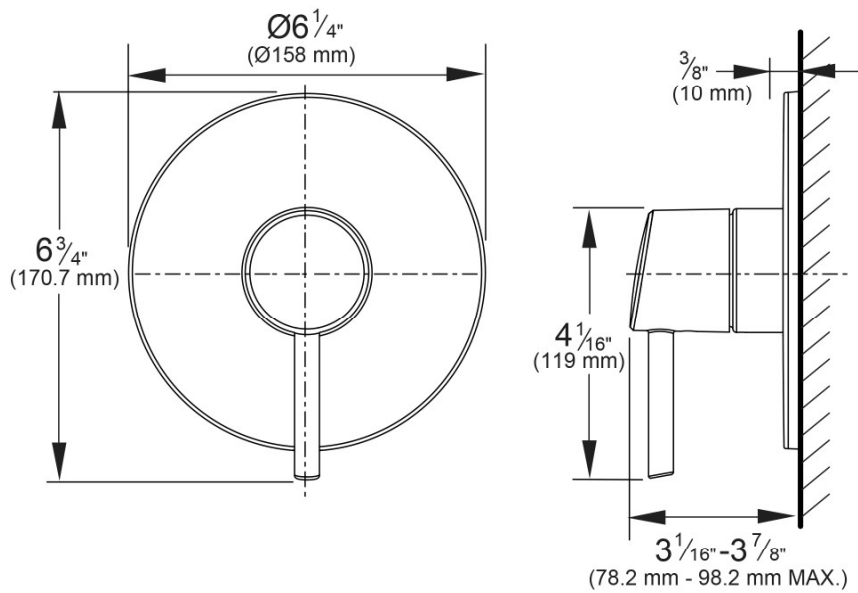
## CONCETTO™ PRESSURE BALANCE VALVE TRIM WITH CARTRIDGE

Pure Freude  
an Wasser



### TECHNICAL DATA:

Product Height	6-3/4 in
Product Length	6-1/4 in
Product Width	3-7/8 in



Tel: 1.630.582.7711 Fax: 1.630.582.7722

We reserve the right to make revisions without notice to product specifications.

For the most current Specification Sheet, go to [www.grohe.us](http://www.grohe.us).

03-19-2020

PART OF LIXIL