

S6960B / S6960E SENSOR FAUCET

TOUCH-FREE ELECTRONIC LAVATORY FAUCET

SPECIFICATIONS

Touch-free electronic lavatory faucet, activated by an infrared sensor. For premixed water. Available with an external 9V battery or a 9V transformer. Filters included. One piece solid brass body for added vandal resistance. Sensor range is adjustable manually and by remote control. Other sensor settings (delay in, delay out, security time) can also be adjusted by remote control. The faucet will automatically shut off after 90 seconds of use. Includes a low battery level indicator.

OPERATION

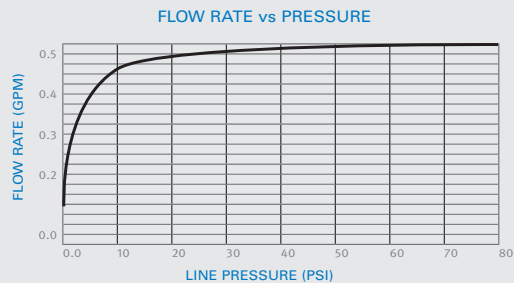
Touch-free electronic faucet operated by an infrared sensor. The faucet automatically activates when users place their hands within sensor range and stops when they remove them from the sensor range.

APPLICATION

Deck-mounted faucet combining an elegant design with anti-vandal features. Helps washrooms cleanliness, saves water and prevents cross contamination. Ideal for transportation hubs, train and bus stations, highway rest stops and stadiums.

PRODUCT AT A GLANCE

Installation	Lavatory mounted
Power Supply	• Battery box for 6 x 1.5V AA batteries • 9V transformer
Operating pressure	0.5-8.0 bar / 7.0-116.0 PSI For greater water pressure please use a pressure reducing valve
Water supply	Cold or premixed water
Water flow	0.5 gpm - PCA SPRAY
Water Saving Options	0.35 GPM - PCA spray
Water temperature	70°C Maximum



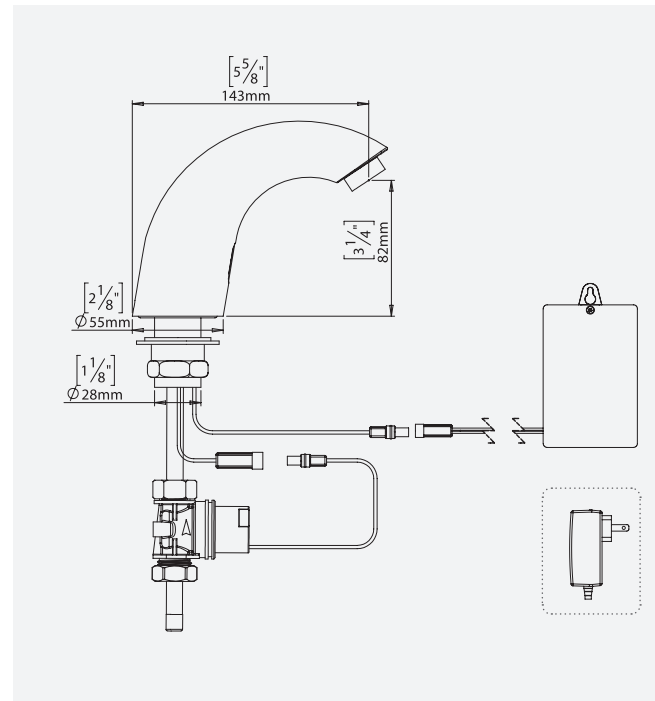
This graph applies to 0.5 GPM option only.

ORDERING INFORMATION

MODEL CODE	POWER
Symmons S6960B Sensor Faucet	6 X 1.5V AA batteries
Symmons S6960E Sensor Faucet	9V transformer

OPTIONS

OPTION	CODE
Remote control	RC6960
Matching battery-powered soap dispenser	SD6960BL
Matching transformer-powered soap dispenser	SD6960EL



ADVANTAGES



LEED RATING



OPTIONAL HYGIENE FLUSH



ROBUST BRASS BODY



ADJUSTABLE SETTINGS



EASY TO INSTALL



ADA DESIGNED

APPROVALS



SYMMONS INDUSTRIES, INC.
31 BROOKS DRIVE
BRAINTREE, MA 02184-3804
1-800-796-6667

www.symmons.com