



# Kalia

ONCE UPON A TIME...WATER®

## RUSTIK™

### 103604

### STANDARD: handshower

### SPECIFICATIONS

#### Features

- 83 mm (3 1/4") diameter
- Water G½ male inlet
- Max. flow 9.5 L/min (2.5 gpm)
- Solid brass construction

#### Maximum flow rate

- 7.6 L/min. (2 gpm) at 80 psi

#### Colors (Finishes)

- Chrome : 103604-110

#### Certifications

The specified model meets or exceeds the following standards;



CSA B125.1  
ASME A112.18.1



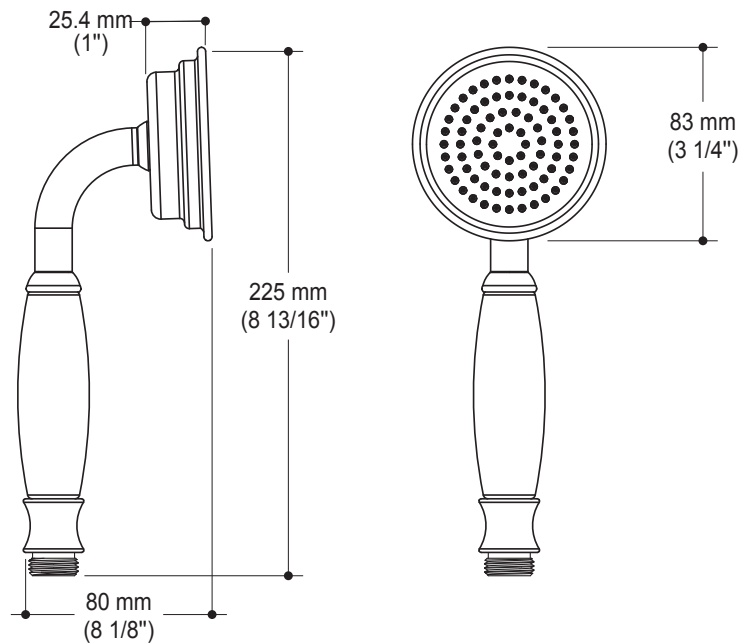
#### Installation Notes

This product must be installed following the installation instructions provided.

#### WARRANTY

Kalia inc. guarantees all aspects of its products to be free of defects in material and workmanship for normal residential use. Refer to the warranty included with the Kalia products for details.

Product dimensions:



**Important :** Dimensions are approximated and are subject to changes. Please refer to the installation instructions.



# Kalia

ONCE UPON A TIME...WATER®

1355, 2<sup>nd</sup> Street, Industrial Park  
Sainte-Marie (Québec)  
Canada G6E 1G9

T 418-387-9090  
1-877-GO-KALIA (1-87- 465-2542)  
F 418 387-9089

[KaliaStyle.com](http://KaliaStyle.com)