

MOEN®

DESCRIPTION

- Metal construction with various finishes identified by suffix
- Includes showerhead, arm, flange and diverter spout
- Includes red and blue temperature markings

OPERATION

- Lever style handle with temperature indicator on the escutcheon.
- Variable volume control handle is lifted in a 0 to 25° arc.
- Temperature operates through an 1 10° arc of handle rotation (full cold to full hot)
- Adjustable temperature limit stop to control maximum hot water temperature.
- Pressure balancing mechanism maintains selected discharge temperature to ± 3°F.

FLOW

- Showerhead is limited to 2.5 gpm (9.5 L/min) at 80 psi
- EP suffix models are limited to 1.75 gpm (6.6 L/min) at 80 psi

CARTRIDGE

- 1213 cartridge design
- Nonmetallic/nonferrous and stainless steel materials
- Accommodates back to back installations

STANDARDS

- Third party certified to meet ASME A112.18.1/CSA B125.1 and all applicable requirements referenced therein
- EP suffix models are third party certified to WaterSense®
- ADA for lever handle

WARRANTY

- Lifetime limited warranty against leaks, drips and finish defects to the original homeowner
- 10 year limited warranty when used in a multifamily installation
- 5 year limited warranty when used in a commercial installation
- Visit www.moen.com/support for complete details and limitations

Specifications



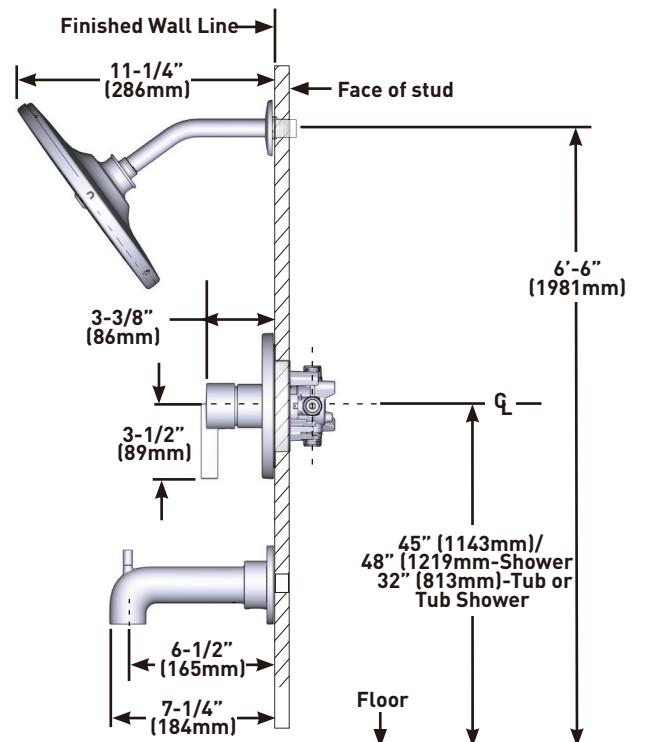
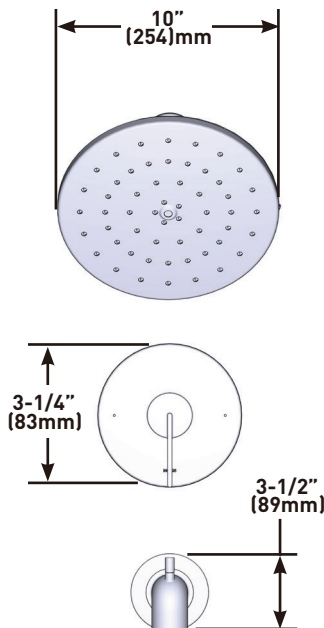
CIA™

Single-Handle M-CORE™ 3-Series Tub/Shower Trim Kit

MODELS: UT3361 series - valve trim only
 UT3362 series - shower trim only
 UT3363 series - tub/shower trim

NOTE:

Valves: U140 series, U130 series



CRITICAL DIMENSIONS DO NOT SCALE