

# B3Square 4836

**Model number:**

420003

**Dimensions:** 48" x 36" x 4"

**Installation:**

**Material:** Acrylic



## Standard Features:

- Acrylic rectangular shower base with square drain
- 3 in. threshold and smooth floor
- Center drain
- Certain configurations available with Stabili-T anti-slip bottom meeting ADA, ANSI or CSA standards
- Chrome grid and drain included (ABS or PVC available)
- Multiple grid finishes available

## Product characteristics:

- Made in Canada
- Utile Compatible
- Bestseller

## Warranty:

25 Years

## Standard colors:



## Certifications

MAAX products adhere to one or more of the following certifications:



## Recommended products (Visit our website for a complete list of our recommended products)

No	Description
138996	Halo Sliding Shower Door 44 1/2-47 x 78 3/4 in. 8 mm
139396	Halo Return Panel for 36 in. Base
135331	Incognito 76 Shaker Sliding Shower Door 44-47 x 76 in. 8 mm

## Options (Visit our website for a complete list of our options)

No	Description
<input type="checkbox"/> OPT 20208	PVC drain
<input type="checkbox"/> OPT 20253	ABS drain
<input type="checkbox"/> OPT 20254	PVC drain

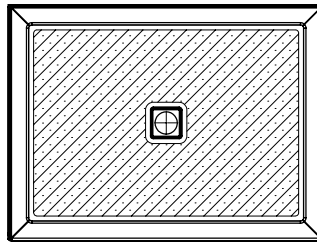
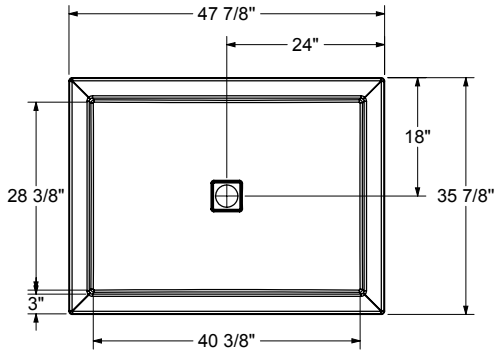
# B3Square 4836

**Model number:** 420003

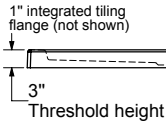
**Dimensions:** 48" x 36" x 4"

**Installation:**

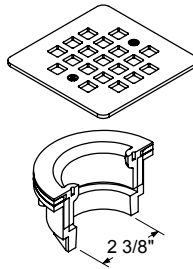
**Material:** Acrylic



The hatched area represent the anti-slip surface



DRAIN INCLUDED ON B3 SQUARE ONLY



This technical drawing is universal for every 4836 configuration.

Integrated tiling flange : 1" height x 1/4" thick (not shown)  
Tiling flange position is determined by chosen configuration.

All dimensions are approximate. Structure measurements must be verified against the unit to ensure proper fit.

<b>Dimensions:</b>
47 7/8 x 35 7/8 x 4 in. (1216 x 911 x 102 mm)
<b>Weight:</b>
47 lbs (21.32 kg)
<b>Shape:</b>
Rectangular
<b>Drain location:</b>
Center
<b>Installation:</b>
Alcove
Corner Left
Corner Right
Alcove Deep
Wall Mounted
Tunnel
Alcove – Stabili-T

Project: \_\_\_\_\_

Contractor: \_\_\_\_\_

Representative: \_\_\_\_\_

Date: \_\_\_\_\_

Tel: \_\_\_\_\_

Notes: \_\_\_\_\_

\_\_\_\_\_

\_\_\_\_\_