

PALISADE™ ROUND VESSEL

0960 900

- Contemporary 17" (432mm) diameter China above counter sink
- Chrome grid drain included
- Recommended for use with Cardiff 9445 100 cabinet or other countertop installation
- Recommended faucet - ONE vessel faucet 2064 152 (Faucet shown not included)

Nominal Dimensions:

17" diameter
(432mm)

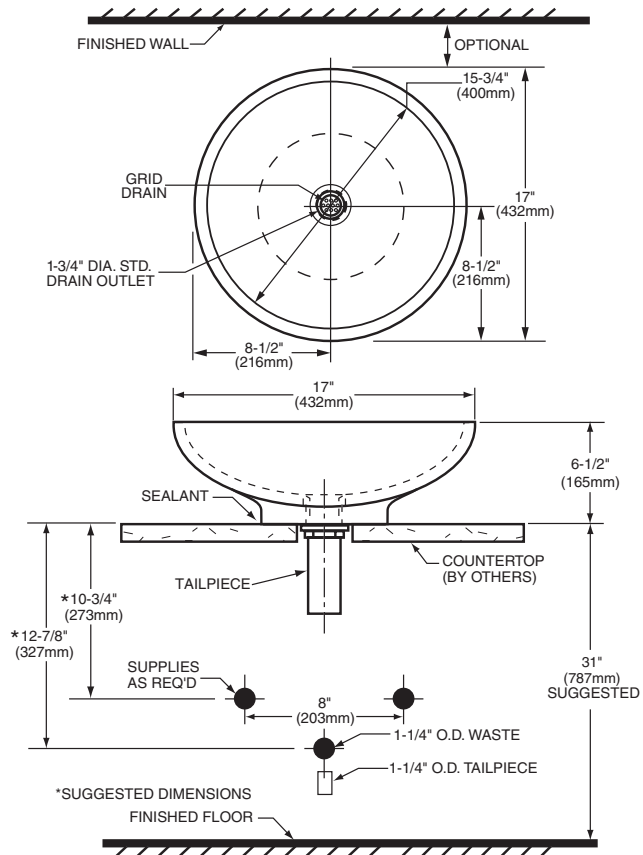
Bowl sizes:

15-3/4" (400mm) diameter
5" (127mm) deep

Compliance Certifications -

Meets or Exceeds the Following Specifications:

- ASME A112.19.2M for Vitreous China Fixtures



To Be Specified: (Recommended)

- Vanity Base: Cardiff 9445 100 or countertop by others.
- Faucet: ONE vessel faucet 2064 152
- Faucet Finish: Polished Chrome (002)

NOTES:
* DIMENSIONS SHOWN FOR LOCATION OF SUPPLIES AND "P" TRAP ARE SUGGESTED.
FITTINGS NOT INCLUDED WITH FIXTURE AND MUST BE ORDERED SEPARATELY.
FOR COUNTERTOP CUTOUT SEE INSTALLATION INSTRUCTIONS.

IMPORTANT: Dimensions of fixtures are nominal and may vary within the range of tolerances established by ANSI Standard A112.19.9M. These measurements are subject to change or cancellation. No responsibility is assumed for use of superseded or voided pages.