

TESS ABOVE-COUNTER SINK

0502 000

- Contemporary geometric above counter vessel design
- Generous bowl depth with centre drain
- Faucets can be wall or counter mounted
- Less overflow
- Supplied with cut-out template

Nominal Dimensions:

15-3/4" (400mm) round
5-1/8" (130mm) height above counter

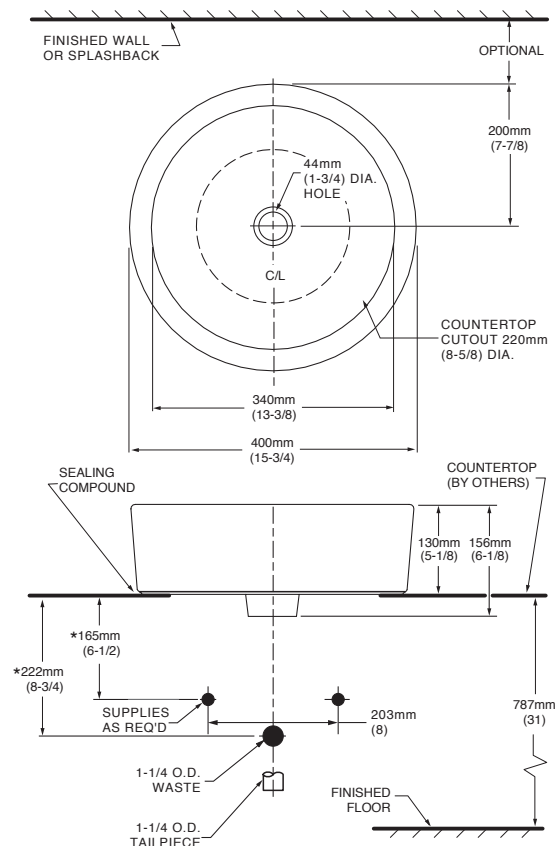
Bowl sizes:

13-3/8" (340mm) round,
4-1/8" (105mm) deep

Compliance Certifications -

Meets or Exceeds the Following Specifications:

- ASME A112.19.2M for Vitreous China Fixtures
- CAN/CSA B45 series
- A1995 National Building Code, section 3.7 and CAN/CSA - B651-M90 and OBC 3.7



To Be Specified:

- Colour:
- Faucet*:
- Faucet Finish:
- Supplies:
- 1-1/4" Trap:

Recommended:

- 9386 000 Cardiff Console Table Frame
- 9387 502 Laminated Marble Table Top – pre-cut for TESS sink

* See faucet section for additional models available

NOTES:

*DIMENSIONS SHOWN FOR LOCATION OF SUPPLIES AND "P" TRAP ARE SUGGESTED. FAUCETS NOT INCLUDED WITH FIXTURE AND MUST BE ORDERED SEPARATELY. FOR COUNTERTOP CUTOUT AND INSTALLATION INSTRUCTIONS USE TEMPLATE SUPPLIED WITH SINK.

IMPORTANT: Dimensions of fixtures are nominal and may vary within the range of tolerances established by ANSI Standard A112.19.2. These measurements are subject to change or cancellation. No responsibility is assumed for use of superseded or voided pages.