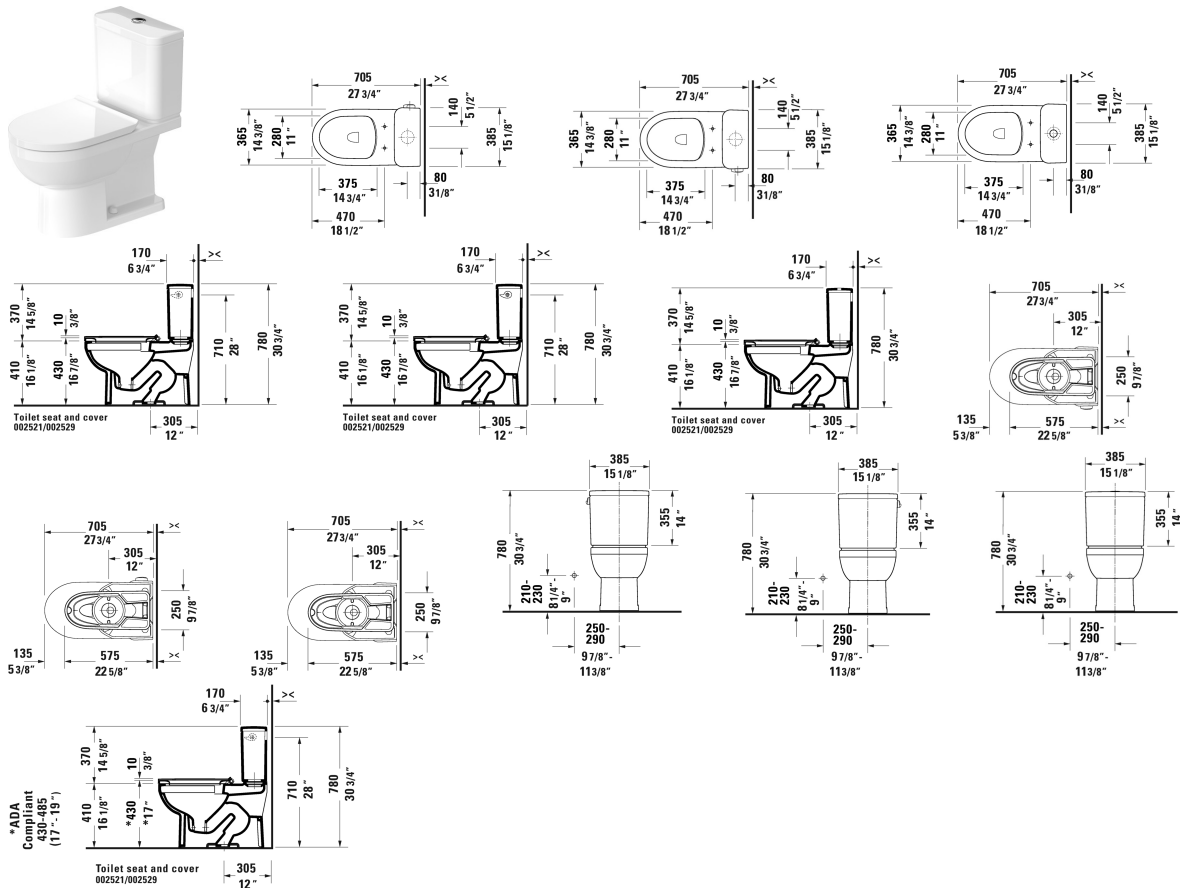


**DuraStyle Basic Two-Piece toilet Duravit Rimless®** ☺ #  
 218801..00 / 218801..85 / 218801..00 / 218801..85

< 14 3/8" Inch >



Two-Piece toilet Duravit Rimless®	Dimension	Weight	Order number
(without tank), syphonic, 12" rough-in, vertical outlet			
<b>Colors</b>			
00 White 20 HygieneGlaze (an antibacterial ceramic glaze that provides almost indefinite effectiveness)			
<b>Variant</b>			
♣ 1.32/0.92 gpf	14 3/8" x 27 3/4" Inch	72.8 lb	218801..00
♣ 1.28 gpf	14 3/8" x 27 3/4" Inch	72.8 lb	218801..85
♣ 1.32/0.92 gpf	14 3/8" x 27 3/4" Inch	72.8 lb	218801..00
♣ 1.28 gpf	14 3/8" x 27 3/4" Inch	72.8 lb	218801..85
<b>Infobox</b>			
Optionally available with a standard seat and cover			

**DuraStyle Basic Two-Piece toilet Duravit Rimless® ♿ #**  
 218801..00 / 218801..85 / 218801..00 / 218801..85

|< 14 3/8" Inch >|

Sanitary ceramics with the special WonderGliss surface finish will remain clean and attractive-looking for a long time to come.  
 When ordering WonderGliss please add a "1" as eleventh digit to the model number.

Mounting set for One-Piece and Two-Piece toilets, outlet 3/8" - male thread, wall connection 1/2" - female thread, 1/2", North American version	17 3/4" Inch	1.1 lb	001417
---	--------------	--------	--------

**Suitable products**

Toilet seat and cover removable, elongated, hinges stainless steel, without slow close,			002521
---	--	--	--------

Tank for bottom left supply, 1.28 gpf, 15 1/8" x 6 3/4" Inch	15 1/8" x 6 3/4" Inch		094150
--	-----------------------	--	--------

Toilet seat and cover removable, elongated, hinges stainless steel, with slow close,			002529
--	--	--	--------

*All drawings contain the necessary measurements which are subject to standard tolerances. They are stated in inch & mm and are non-binding. Exact measurements, in particular for customized installation scenarios, can only be taken from the finished ceramic piece.*