



Solid Plastic Seats Elongated

Institutional • Commercial • Heavy-Duty

500 SERIES



Available in Antimicrobial.
Available in Fire-Retardant.

DETAILS

500CC Heavy-duty, open front, less cover for elongated bowl. Plated steel check-hinge with gasket and plastic nuts.

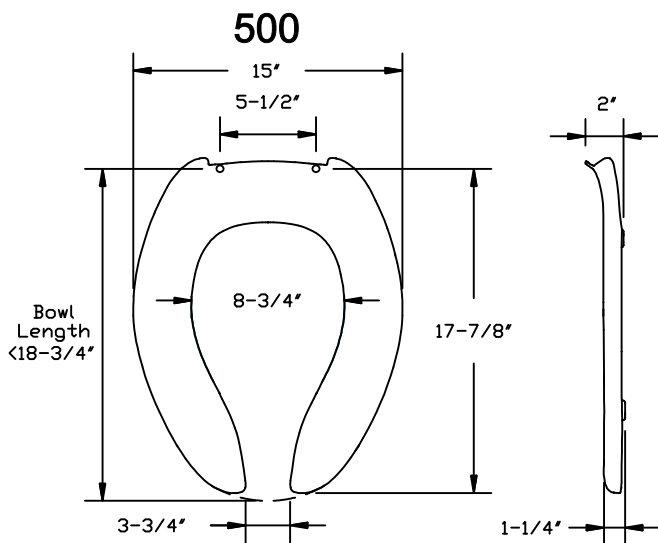
500CCSS Heavy-duty, open front, less cover for elongated bowl. Self-sustaining plated steel check-hinge with gasket and plastic nuts.

500STSCC Heavy-duty, open front, less cover for elongated bowl. Stainless steel check-hinge with gasket, metal flat washers, lock washers and stainless steel nuts.

500STSCCSS Heavy-duty, open front, less cover for elongated bowl. Self-sustaining stainless steel check-hinge with gasket, metal flat washers, lock washers, stainless steel nuts.

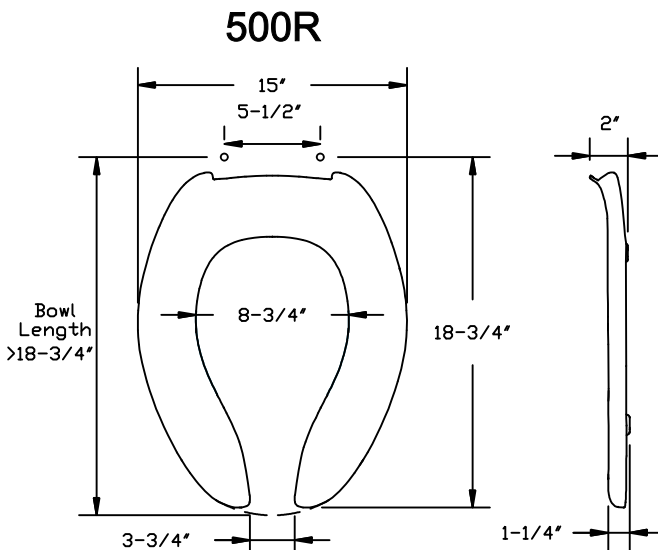
Standard Features:

- Check-hinge posts
- Extended back with concealed hinge
- Integrally-molded, permanent and sanitary color-keyed bumpers
- Corrosion-free hardware
- Withstands cleansers, strong chemicals
- Self-sustaining hinge available



New 500 hinge design results in an improved fit on new water saving bowl designs.

Specify 500STSCC-001R or 500STSCCSS-001R for replacement on existing bowls in retrofit applications.



NOTE:
500R retrofit version only available in white (001)

Dimensions shown are nominal and may vary within a range of tolerance.