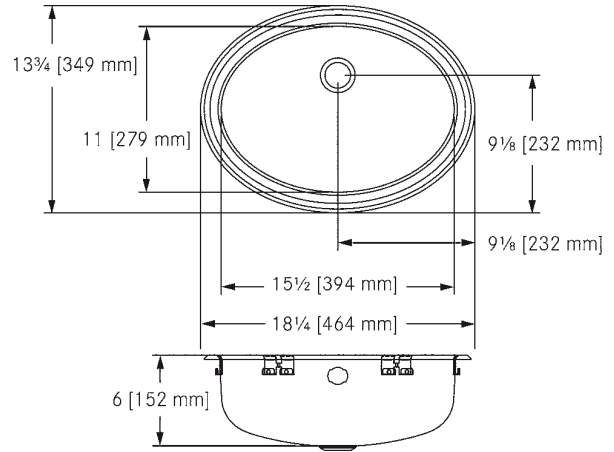


V1418-6 Vanity no ledge,18ga | 214.0493.196



Single compartment self rimming vanity basin less faucet ledge. 18 gauge (1.2 mm), type 304 (CNS 18/10) stainless steel. Mirror finished rim, #4 satin finished bowl. Undercoated to reduce condensation and resonance. Includes factory applied rim seal, cutout template, and installation hardware. Certified to ASME A112.19.3-2008 / CSA B45.4-08. Wheelchair accessible: meets ADA (Americans with disabilities act guidelines) and ANSI A117.1 (Accessible and usable buildings and facilities). Check local codes to ensure compliance. Centre back waste location, accepts 1 1/4" (32 mm) waste assembly (not included). No overflow. 13 3/4 x 18 1/4" Overall. 11 x 15 1/2 x 6" Bowl. (FB x LR x D). 349 x 464 mm Overall. 279 x 394 x 152 mm Bowl. (FB x LR x D).

Product Dimensions

Overall front to back	13.74
Overall left to right	18.268
Bowl dimension front to back	10.984
Bowl dimension left to right	15.512
Bowl depth	5.984

Installation

Installation type	Topmount
Installation system	EZ Claw

Product specifications

Gauge	18
Wheelchair accessibility	Yes
Certification	cUPC
Type of material	Type 304
Material code	CNS 18/10
Surface finish	Mirror rim, satin bowl
Number of bowls	1
Faucet ledge position	No
Waste location	Center back
Waste size	1 1/4" (32mm)

Product identification

Model	V1418-6
Product brand	FRANKE
Product category	Vanity basins

Features

Overflow location	No
Waste assembly	Not included