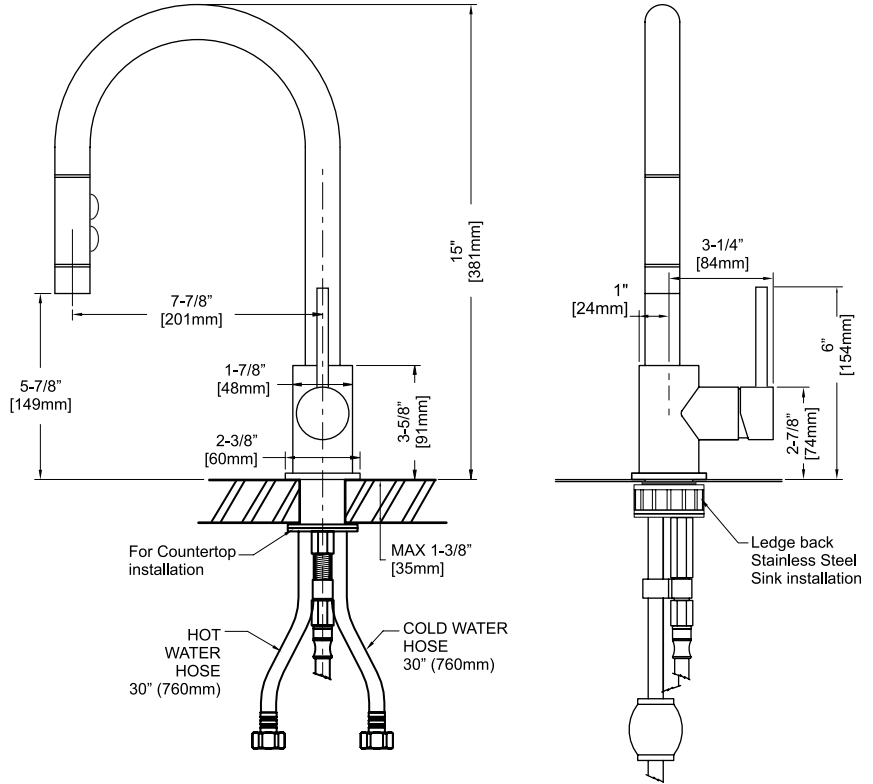




4917302 Shown

MODEL NUMBER:

 **4717302** Dual Control with Pull-Down Head



GENERAL DESCRIPTION:

Forged brass body with brass swivel spout and metal lever handle. Pull-down 2 Function spray with 78-3/4" (2000mm) Long Nylon Spray Hose. Colour matched spray buttons. Washerless 35mm ceramic disc valve cartridge. Complete with integral check valves. 30" (760mm) Stainless Steel Braided flexible supply hoses with 3/8" compression connectors. 1.5gpm/5.7Lmin. maximum flow rate.

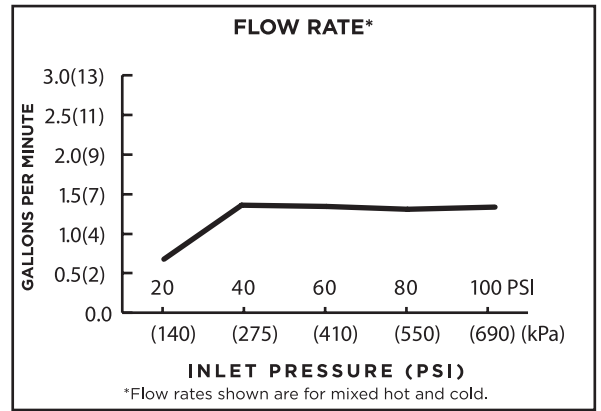
PRODUCT FEATURES:

- Ceramic Disc Valve Cartridge:** Assures smooth, precise valve control and a lifetime of drip-free, maintenance-free performance.
- Brass Construction:** Highest quality materials for durability & long life.
- Memory Position Valving:** Allows user to turn valve on an off at preferred temperature setting without readjusting handle position each time.
- Low Lead:** Meets NSF Standard 61/Section 9 & Prop 65 lead requirements.
- Pull-down Spray:** 78-3/4" (2000mm) Long Nylon spray hose.
- Integral Check Valves:** Prevents back flow.
- Finish:** Polished Chrome

CODES AND STANDARDS

These products meet or exceed the following codes and standards:

- NSF 61 / Section 9**
- IAPMO (cUPC)**
- CSA B651-12 BARRIER FREE**



Product Number	Description	Finish Options
		Polished Chrome
		002
4717302	Dual Control with Pull-down spray head	

Meets the Barrier Free CSA B651-12.