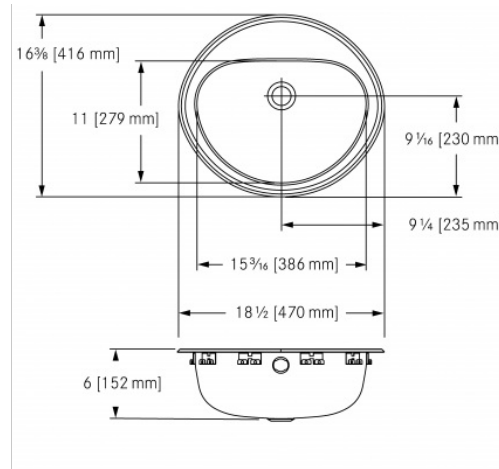


VANITY BASIN: OV1619/6/1

OV1619/6/1 | 2000102774



Single compartment self rimming vanity basin with faucet ledge. 18 gauge (1.2 mm), type 304 (CNS 18/10) stainless steel. Mirror finished rim, #4 satin finished bowl. Undercoated to reduce condensation and resonance. Includes factory applied rim seal, cutout template, and installation hardware. Certified to ASME A112.19.3-2008 / CSAB45.4-08.

Wheelchair accessible: meets ADA (Americans with disabilities act guidelines), ANSI A117.1 (Accessible and usable buildings and facilities), and CSAB651-04 (Accessible design for the built environment). Check local codes to ensure compliance.

Center back waste location, accepts 1 1/4" (32 mm) waste assembly (not included), integral overflow at front of bowl.

1 faucet hole, 1 1/2" (38 mm) diameter.

TECHNICAL DATA

type of basin	vanity basin
bowl depth	6"
Bowl finish	SATIN-FINISHED
Bowl front to back	11"
Bowl left to right	15 3/16"
gross weight	4.52 kg
material	STAINLESS-STEEL
material code	1.4301 Chrome Nickel steel V2A
material thickness grade	18 gauge (1.2 mm)
Overall front to back	16 3/8"
Overall left to right	18 1/2"
overflow	yes
number of faucet holes	1
faucet hole diameter	1 1/2"
Faucet ledge	yes
type of waste kit	optional grid strainer
undercoated	yes
waste hole position	centre back
waste size	DN 32
net weight	3.82 kg
Overflow Location	Front
Faucet ledge position	Back

PROJECT INFORMATION

Item Location _____

Project Number _____

Quote Number _____

Notes _____

Engineer's Approval

