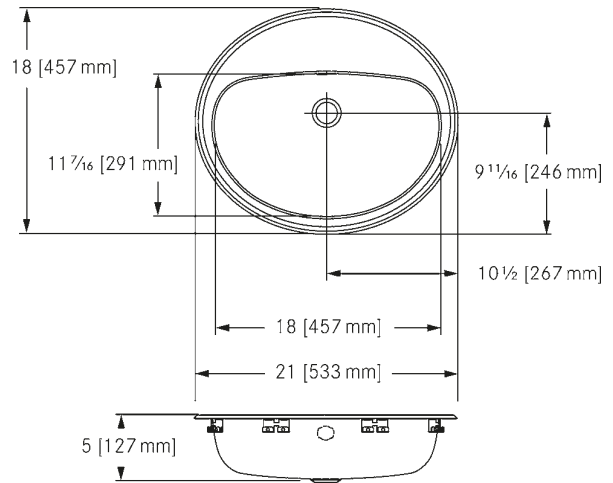


V1821-5-1 Vanity with ledge, 1 hole | 214.0493.208



Single compartment self rimming vanity basin with faucet ledge. 18 gauge (1.2 mm), type 304 (CNS 18/10) stainless steel. Mirror finished rim, #4 satin finished bowl. Undercoated to reduce condensation and resonance. Includes factory applied rim seal, cutout template, and installation hardware. Certified to ASME A112.19.3-2008 / CSA B45.4-08. Centre back waste location, accepts 1 1/4" (32 mm) waste assembly (not included), no overflow. 1 faucet hole, 1 1/2" (38 mm) diameter. 18 x 21" Overall. 11 7/16 x 18 x 5" Bowl. (FB x LR x D). 457 x 533 mm Overall. 291 x 457 x 127 mm Bowl. FB x LR x D).

Product Dimensions

Overall front to back	17.992
Overall left to right	20.984
Bowl dimension front to back	11.457
Bowl dimension left to right	17.992
Bowl depth	5

Installation

Installation type	Topmount
Installation system	EZ Claw

Product specifications

Gauge	18
Wheelchair accessibility	Yes
Certification	cUPC
Type of material	Type 304
Material code	CNS 18/10
Surface finish	Mirror rim, satin bowl
Number of bowls	1
Faucet ledge position	Yes
Number of faucet holes	1
Waste location	Center back
Waste size	1 1/4" (32mm)

Product identification

Model	V1821-5-1
Product brand	FRANKE
Product category	Vanity basins

Features

Overflow location	No
Waste assembly	Not included