

Ecostat
Thermostatic Trim S with Volume Control
 Finish: **Brushed Nickel** Part no. : **04230820**



Description

Features

- Volume control for 1 function
- Thermostat cartridge, ceramic cartridge
- Maximum flow rate (at 3 bar): 22.7 l/min
- Safety stop at 40°C

Technology



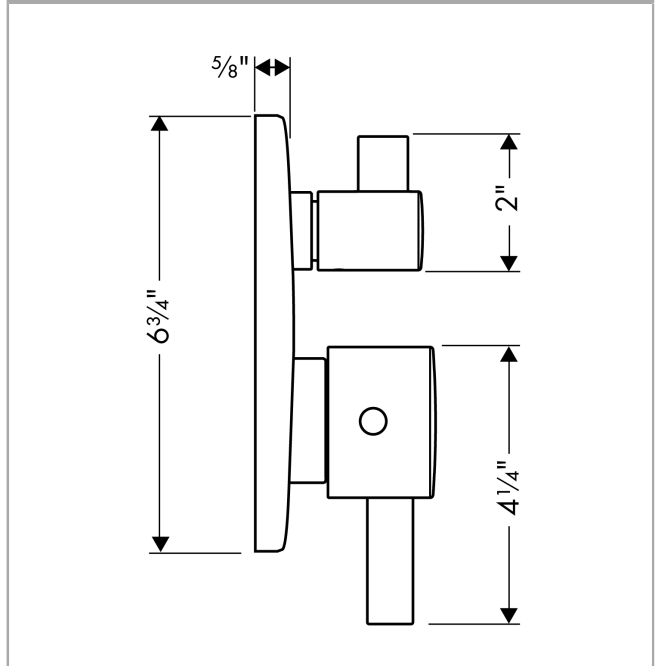
Compliance / Sustainability



Product image



Scale drawing

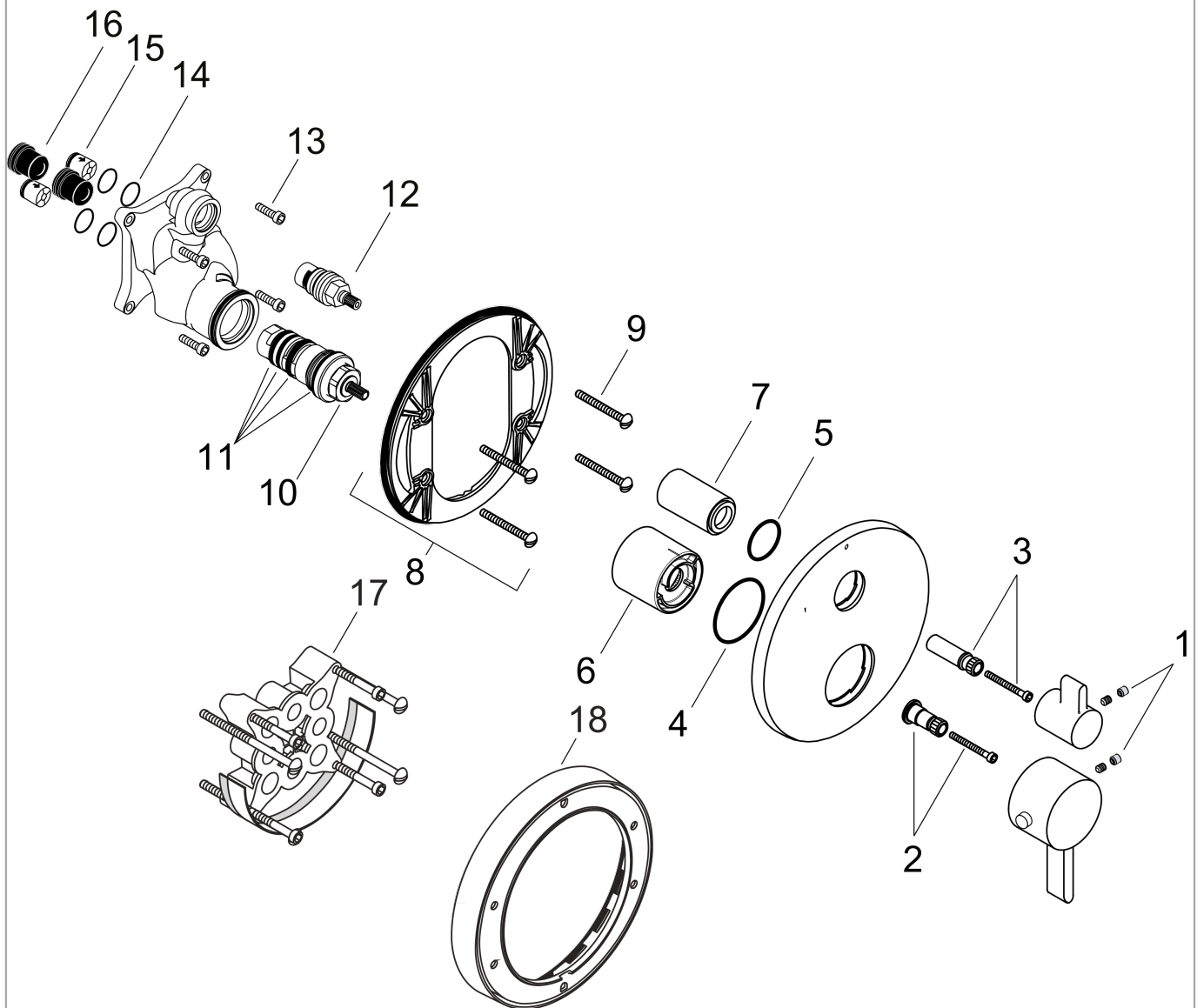


Ecostat
Thermostatic Trim S with Volume Control
 Finish: **Brushed Nickel** Part no. : **04230820**



Exploded drawing

Year of production: >12/09



Ecostat

Thermostatic Trim S with Volume Control

Finish: **Brushed Nickel** Part no. : **04230820**



Spare parts list

Year of production: >12/09

Pos.	Description	Part no.	PC	PU
1	screw cover	95181000	0	1
2	adapter for handle	96435000	0	1
3	adapter for handle	96451000	0	1
4	O-Ring 48x3	95508000	0	1
18	O-ring 29x3	98371000	0	1
5	sleeve	95550820	0	1
6	sleeve	96446820	0	1
7	sub plate	96447000	0	1
8	set of fixing screws	96454000	0	1
9	thermostat cartridge	94282000	0	1
10	sealing set	95037000	0	1
11	shut off unit right closing	94009000	0	1
12	set of screws	96525000	0	1
13	O-ring 16x2	98133000	0	1
14	set of non return valves DW 15	94074000	0	1
15	noise reduction	94073000	0	1
17	extension 25 mm	13595000	0	1
16	extension 22 mm (Ø 170 mm)	13596820	0	1
a	hexagon socket screw M4x35	92160000	0	1