

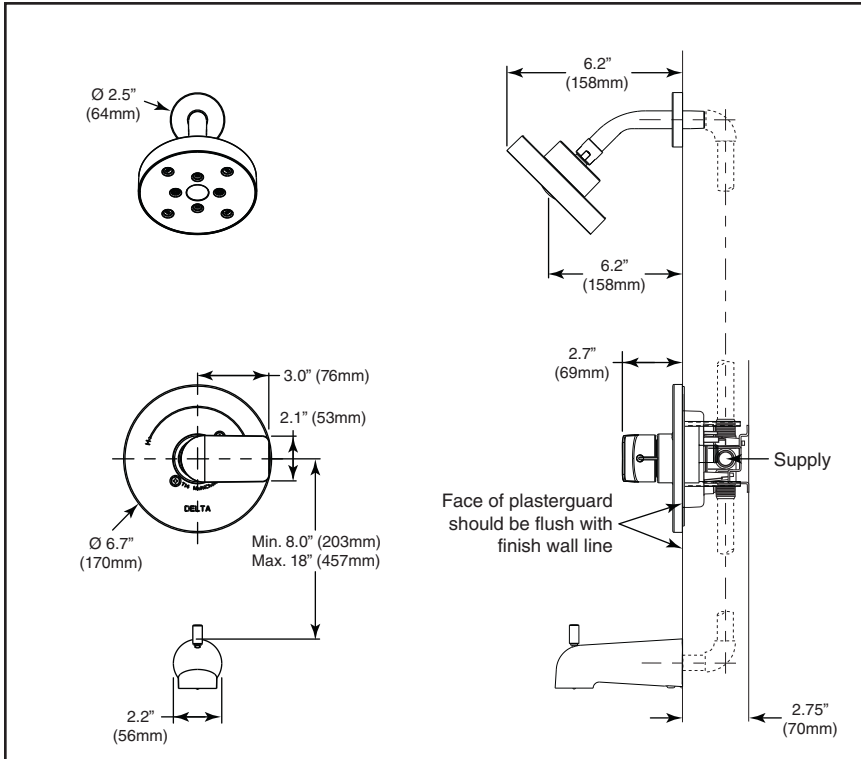
see what Delta can do™

BATHROOM FAUCETS

- Portage™ Bath Collection
- Valve Only (T14071)
- Shower Only (T14271)
- Tub/Shower (T14471)

Submitted Model No.: _____

Specific Features: _____

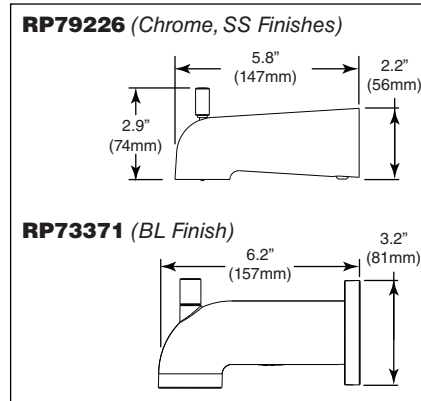
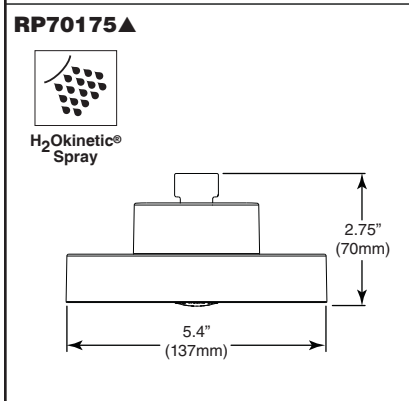


STANDARD SPECIFICATIONS:

- Monitor® 14 Series pressure balanced bath single handle mixing valve trim
- Maintains a balanced pressure of hot and cold water even when a valve is turned on or off elsewhere in the system
- For use with MultiChoice® Universal rough valve body (R10000 Series)
- Back-to-back installation capability.
- Temperature only controlled with handle
- Red/blue temperature indicators
- Field adjustable to limit Stop
- 120° maximum handle rotation.
- All parts replaceable from the front of the valve.
- Maximum 1.75gpm @80psi (6.6L/min@ 550kpa)
- Tub port maximum flow rate 6.0gpm @ 60psi with R10000-UNBX
- ½" C.W.T slip-on spout

WARRANTY

- Parts and Finish - Lifetime limited warranty; or for commercial purchasers, 10 years for multi-family residential (apartments and condominiums) and 5 years for all other commercial uses, in each case from the date of purchase.
- Electronic Parts and Batteries (if applicable) - 5 years from the date of purchase; or for commercial purchasers, 1 year from the date of purchase. No warranty is provided on batteries.



COMPLIES WITH:

- ASME A112.18.1 / CSA B125.1
- ASSE 1016
- EPA WaterSense®
- Indicates compliance to ICC/ANSI A117.1

▲ Designate Proper Finish Suffix

Delta Faucet Company reserves the right (1) to make changes in specifications and materials, and (2) to change or discontinue models, both without notice or obligation. Dimensions are for reference only. See current full-line price book or www.deltafaucet.com for finish options and product availability.

DSP-B-T14071, Rev. A

Delta Faucet Company

55 E. 111th Street, Indianapolis, IN 46280
350 South Edgeware Road, St. Thomas, ON N5P 4L1
© 2020 Delta Faucet Company