

**LATON™ RIGHT HEIGHT®
ELONGATED TOILET**

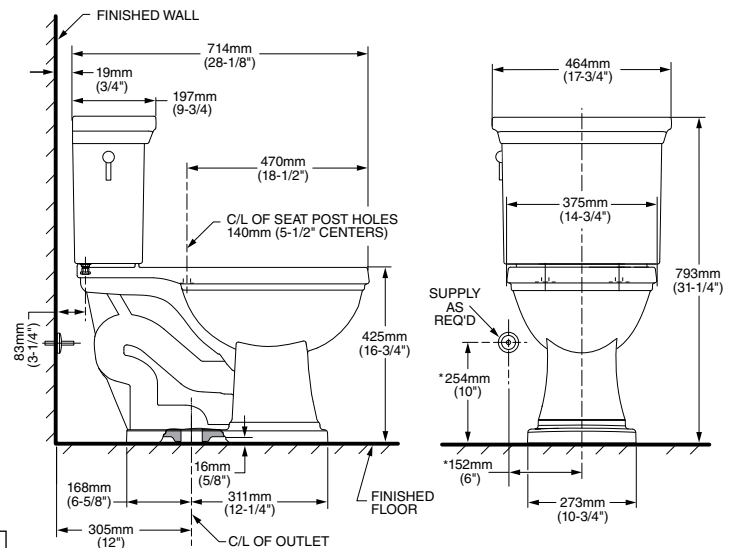
- 201AA 104**
 - Vitreous china
 - Combination bowl and tank, less seat
 - Meets definition for HET (High Efficiency Toilet)
 - High efficiency, ultra-low consumption (4.8 Lpf/1.07 gpf)
 - Meets EPA WaterSense® criteria
 - Elongated siphon action jetted bowl
 - 16-1/2" (419mm) rim height for accessible applications
 - Fully-glazed 2-1/4" trapway
 - 3" flush valve
 - Classic traditional styling on bowl and tank
 - Side-mounted chrome trip lever
 - 2 colour-matched bolt hole caps
 - **Coordinates with Laton Suite of fixtures**
 - 5 year warranty
- 3323A 101** Right Height® Elongated Bowl
- 4140A 104** Tank

Nominal Dimensions:
28-1/8" x 17-3/4" x 31-3/4"
(714 x 451 x 793mm)

Fixture only, seat and supply by others

**Compliance Certifications -
Meets or Exceeds the Following Specifications:**

- ASME A112.19.2-2008/CSA B45.1-08 for Vitreous China Fixtures
- US EPA WaterSense® Specification for HET's



NOTES:
THIS TOILET IS DESIGNED TO ROUGH-IN AT A MINIMUM DIMENSION OF 305MM (12") FROM FINISHED WALL TO C/L OF OUTLET. SUPPLY NOT INCLUDED WITH FIXTURE AND MUST BE ORDERED SEPARATELY.
* DIMENSION SHOWN FOR LOCATION OF SUPPLY IS SUGGESTED.

IMPORTANT: Dimensions of fixtures are nominal and may vary within the range of tolerances established by ANSI Standard A112.19.2. These measurements are subject to change or cancellation. No responsibility is assumed for use of superseded or voided pages.

To Be Specified:

- Colour: White
- Seat: #5214 110 Elongated Traditional Slow Close Seat
- Supply with stop:



MEETS THE AMERICANS WITH DISABILITIES ACT GUIDELINES AND ANSI A117.1 REQUIREMENTS FOR ACCESSIBLE AND USABLE BUILDING FACILITIES-CHECK LOCAL CODES.