

# Utile back wall 60 in.

**Model number:**

103422

**Dimensions:** 1" x 60" x 80"

**Installation:** Direct to Stud

**Material:** Composite



## Standard Features:

- Realistic looking tile and grout
- Solid, one-piece walls: Sturdy and durable
- Mistake-proof Ulok system makes assembly simple and quick
- Corner or alcove shower and tub shower installation
- 10-year warranty
- 1 corner shelf included

## Product characteristics:

- Designer Series
- Direct to Stud Installation
- Award Winner

## Warranty:

10 Years

## Standard colors:



Vapor (516)



Smoke (517)



Taupe (512)

## Certifications

MAAX products adhere to one or more of the following certifications:



# Utile back wall 60 in.

**Model number:** 103422

**Dimensions:** 1" x 60" x 80"

**Installation:** Direct to Stud

**Material:** Composite

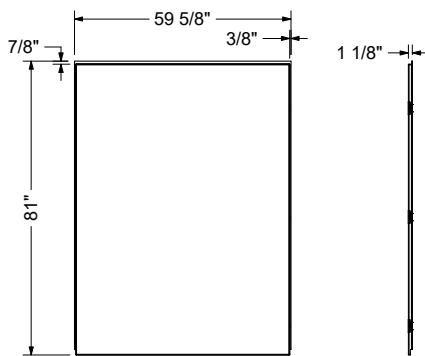
**Dimensions:**

1 1/8 x 60 x 80 in.  
(1219 x 29 x 2032 mm)

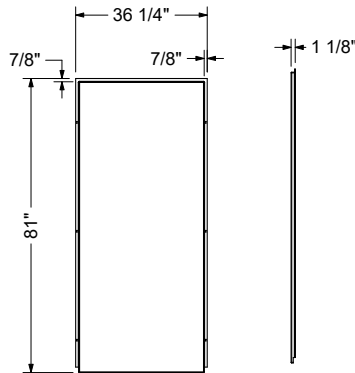
**Weight:**

96 lbs (44 kg)

BACK WALL

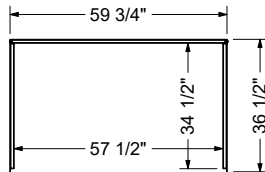


SIDE WALL

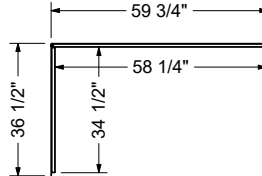


TOP VIEW (ASSEMBLED)

ALCOVE



CORNER



This product is designed to be installed in a building that conforms with the requirements of the National Building Code of Canada 2005  
All dimensions are approximate. Structure measurements must be verified against the unit to ensure proper fit.

Project: \_\_\_\_\_

Contractor: \_\_\_\_\_

Representative: \_\_\_\_\_

Date: \_\_\_\_\_

Tel: \_\_\_\_\_

Notes: \_\_\_\_\_  
\_\_\_\_\_  
\_\_\_\_\_