

**Features**

- Solid brass construction
- Aerated hidden stream
- Single hole installation
- Ceramic disc valve cartridge
- PVD finish (Physical Vapour Deposit): A high technology process that protects the surface finish for increased durability

**Maximum flow rate**

- 5.7 L/min (1.5 gpm)

**Colors (Finishes)**

- Chrome: BF1162-110

**Certifications**

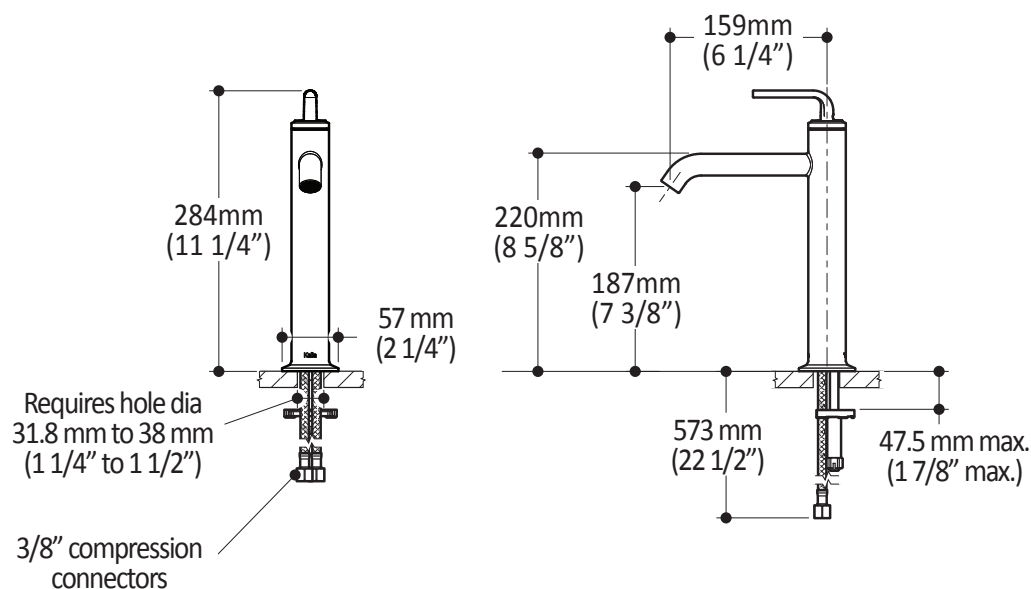
The specified model meets or exceeds the following standards:

**Installation Notes**

This product must be installed following the installation instructions provided.

**WARRANTY**

Kalia Inc. guarantees all aspects of its products to be free of defects in material and workmanship for normal residential use. **Refer to the warranty included with the Kalia products for details.**

*Product dimensions:*

**Important:** Dimensions are approximated and are subject to changes. Please refer to the installation instructions.