



Certified to comply with ANSI A112.18.1M

M965750 Rev. 1.1 (6/16)

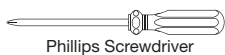
## COLLINA™ PULL DOWN

### KITCHEN FAUCET with PULL DOWN SPRAY

*Thank you for selecting American-Standard...the benchmark of fine quality for over 100 years.*

*To ensure that your installation proceeds smoothly--please read these instructions carefully before you begin.*

#### Recommended Tools



Phillips Screwdriver



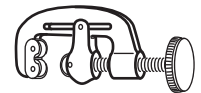
Channel Locks



Adjustable Wrench



Plumbers' Putty or Caulking

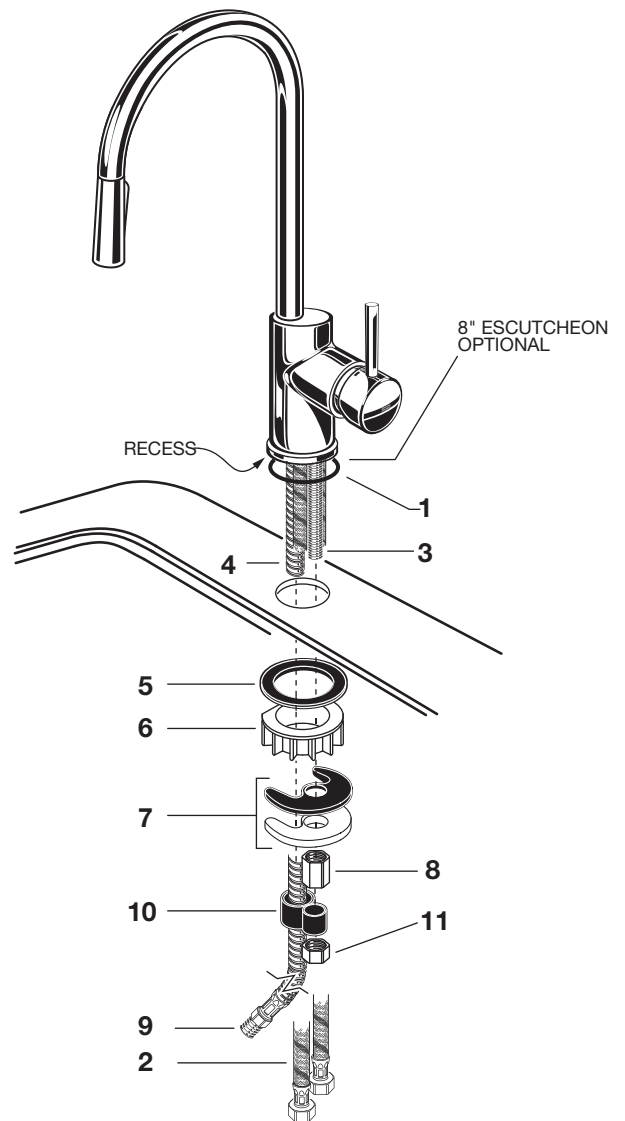


Tubing Cutter

## 1 INSTALL FITTING

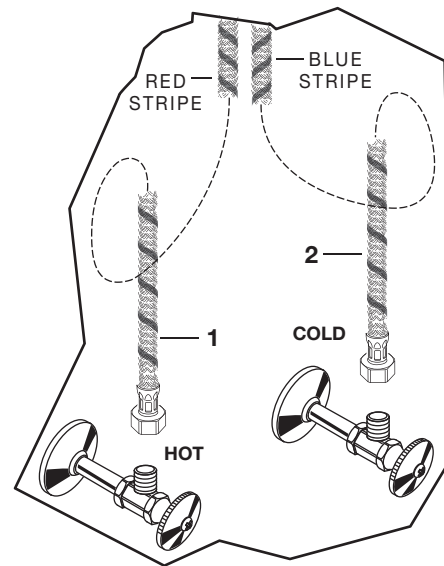
**CAUTION** Turn off hot and cold water supplies before beginning.

- Make certain the O-RING SEAL (1) is properly seated in recess of faucet body.
  - Insert supply HOSES (2), SHANK (3) and SPRAY HOSE (4) through center hole of sink or mounting surface.
  - Assemble RUBBER WASHER (5), PLASTIC WASHER (6), RUBBER & METAL "C" WASHERS (7) and long LOCKNUT (8) onto SHANK (3) from underside of sink. Hand tighten LOCKNUT (8) and check that faucet is centered.
  - Tighten LOCKNUT (8) with WRENCH.
- Feed HOSE END (9) through HOSE GUIDE (10). Slide other side of HOSE GUIDE (10) onto SHANK (3) and secure with LOCK NUT (11). Do not over tighten!



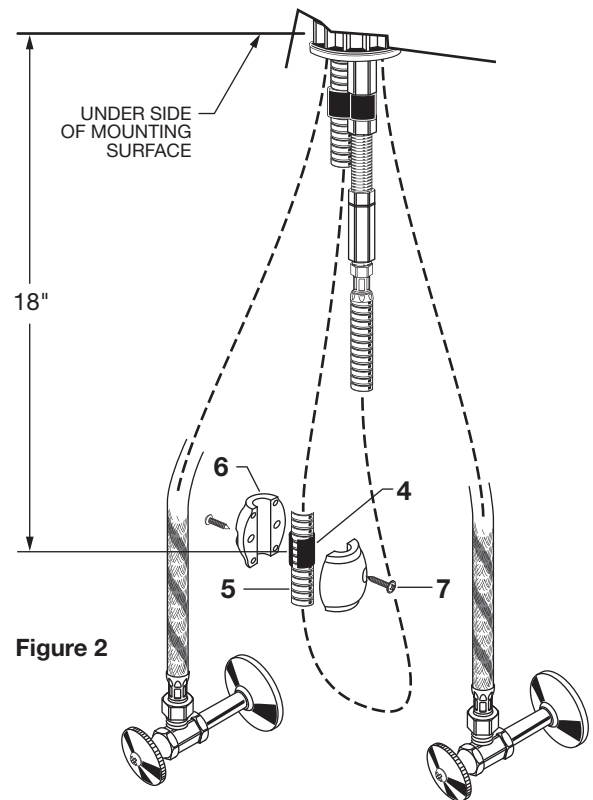
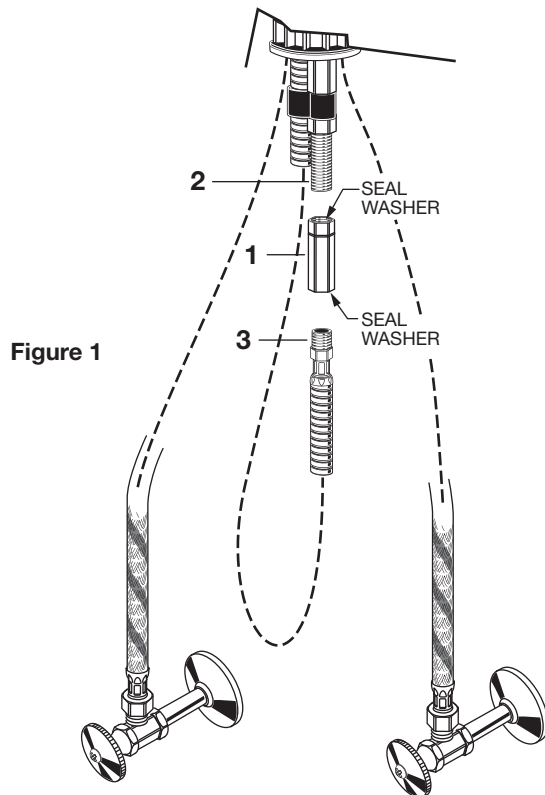
## 2 MAKE WATER SUPPLY CONNECTIONS

- Turn off hot and cold water supplies before beginning.
- Connect FLEXIBLE SUPPLIES (1, 2) directly to wall supplies. Connection on fitting supplies are 3/8" compression. Connect left supply (Marked with a Red Stripe) to Hot and right supply (Marked with Blue Stripe) to Cold wall supply. Use adjustable wrench to tighten connections. Do not over tighten.
- Faucet supplies are 27-1/2" long from faucet base.
- *Note: If additional supply length is required, installer must purchase additional parts separately.*
- *Important: If SUPPLY HOSES (1, 2) are too long, loop as illustrated to avoid kinking.*



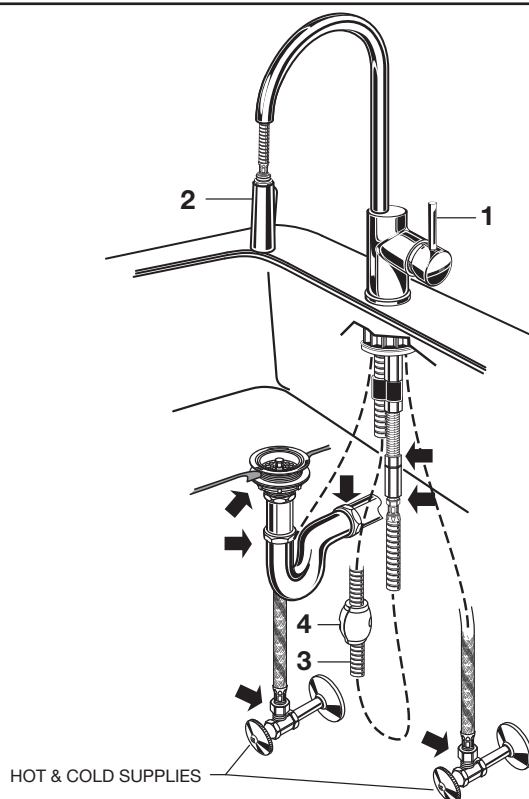
## 3 CONNECT HOSE SPRAY and INSTALL WEIGHT

- Check that seal washers are installed in both ends of SPRAY HOSE ADAPTER (1). Thread SPRAY HOSE ADAPTER (1) onto faucet SHANK (2). Tighten with adjustable wrench. **Figure 1.**
- Thread HOSE END (3) into bottom of SPRAY HOSE ADAPTER (1). Tighten with adjustable wrench. Make sure all connections are tight. **Figure 1.**
- Install RUBBER BUSHING (4) onto SPRAY HOSE (5). Install WEIGHTS (6) onto HOSE (5) using two screws (7). Locate WEIGHTS (6) 18" from underside of mounting surface on HOSE (5). Tighten SCREWS (7) firmly. **Figure 2.**



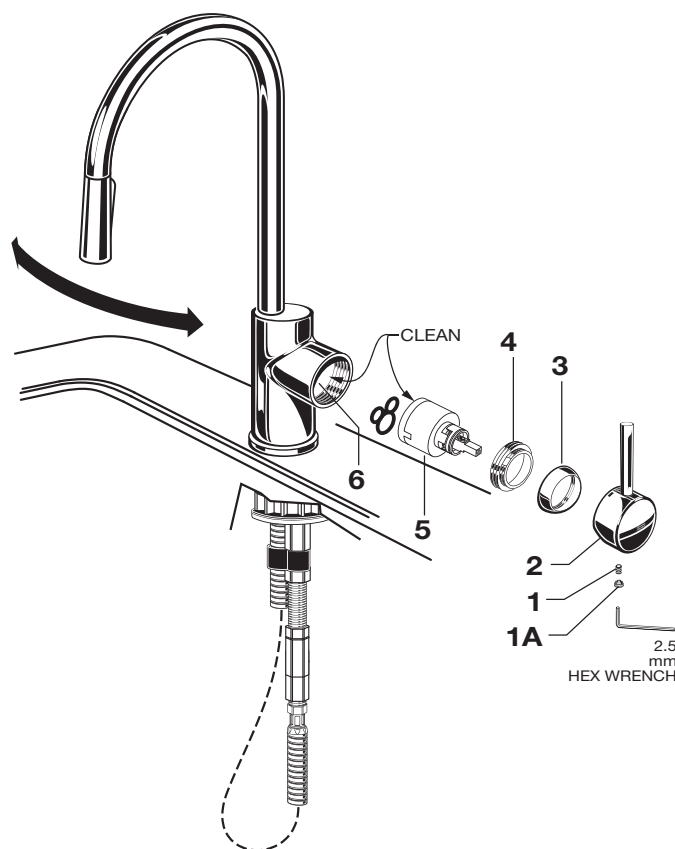
## 4 TEST INSTALLED FAUCET

- Move HANDLE (1) into "off" position.
- Turn on water supplies and check connections for leaks. ➡
- Hold HOSE END (2) in sink and operate HANDLE (1) on and off, hot and cold to flush water lines thoroughly.
- Pull SPRAY (2) out and check hose and supply connections for leaks. ➡ Check that SPRAY HOSE (3) and WEIGHT (4) slide up and down freely and do not interfere with supplies or waste outlet plumbing.
- Check all drain connections for leaks. ➡
- Move HANDLE (1) to "off" position.



## 5 SERVICE

- **Clogged CARTRIDGE outlets or inlets may cause reduced flow.** To clean, first turn off water supply then:
  - Remove PLUG (1A). Loosen HANDLE SCREW (1) with 2.5mm Hex Wrench and then pull HANDLE BASE (2) off.
  - Unthread ESCUTCHEON CAP (3). Unthread the CARTRIDGE NUT (4).
  - Remove CARTRIDGE (5). Clean inlets of CARTRIDGE (5) and MANIFOLD (6).
  - Reassemble CARTRIDGE (5). Replace CARTRIDGE NUT (4), CAP (3) and HANDLE assembly (1, 1a, and 2), check flow.



## 6 CARE INSTRUCTIONS:

**DO: SIMPLY RINSE THE PRODUCT CLEAN WITH CLEAR WATER. DRY WITH A SOFT COTTON FLANNEL CLOTH.**

**DO NOT: DO NOT CLEAN THE PRODUCT WITH SOAPS, ACID, POLISH, ABRASIVES, HARSH CLEANERS, OR A CLOTH WITH A COARSE SURFACE.**

**COLLINA™ PULL DOWN**

**KITCHEN FAUCET with  
PULL DOWN SPRAY**

MODEL NUMBER

**4717302**

**M970110-YYY0A**  
PULL-DOWN SPRAY  
WITH CHECK VALVE,  
SPRAY HOSE AND SEAL

**M964851-0070A**  
SPOUT BUSHING  
& O-RING KIT

**M964725-YYY0A**  
ESCUTCHEON AND SEAL

**M962653-0070A**  
CARTRIDGE NUT

**M964873-YYY0A**  
CARTRIDGE COVER

**M964874-YYY0A**  
HANDLE KIT

**M964404-0070A**  
CARTRIDGE

**M964430-YYY0A**  
ESCUTCHEON  
AND PUTTY PLATE

**M962659-0070A**  
MOUNTING KIT

Replace the "YYY" with  
appropriate finish code

CHROME	002
STAINLESS STEEL	075

**M962660-0070A**  
HOSE GUIDE

**M962661-0070A**  
NUT

**M911764-0070A**  
SEAL WASHER

**M962662-0070A**  
SPRAY HOSE ADAPTER  
WITH CHECK VALVE

**M962650-0070A**  
HOSE WEIGHTS

**HOT LINE FOR HELP**

For toll-free information and answers to your questions, call:  
1 (800) 442-1902  
Mon. - Fri. 8:00 a.m. to 8:00 p.m. EST  
Saturday 10:00 a.m. to 4:00 p.m. EST  
IN CANADA 1-800-387-0369  
(TORONTO 1-905-306-1093)  
Weekdays 8:00 a.m. to 7:00 p.m. EST  
IN MEXICO 01-800-839-1200



Product names listed herein are  
trademarks of AS America, Inc.  
© AS America, Inc. 2016

PART OF **LIXIL**

M965750 Rev. 1.1 (6/16)