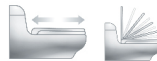


RESIDENTIAL



## Product Specifications

<b>Shape</b>	Round
<b>Seat Material</b>	Polypropylene
<b>Seat Form</b>	Closed front
<b>Commercial Hinge</b>	No
<b>Bolt Material</b>	Plastic
<b>Hardware Material</b>	Plastic
<b>Check Hinge</b>	No
<b>Cover</b>	Yes
<b>Custom Gasket</b>	No
<b>Color</b>	Crane white

---

**Warranty** 1 year limited warranty

---

### Available Colors

White, bone, crane white, biscuit,

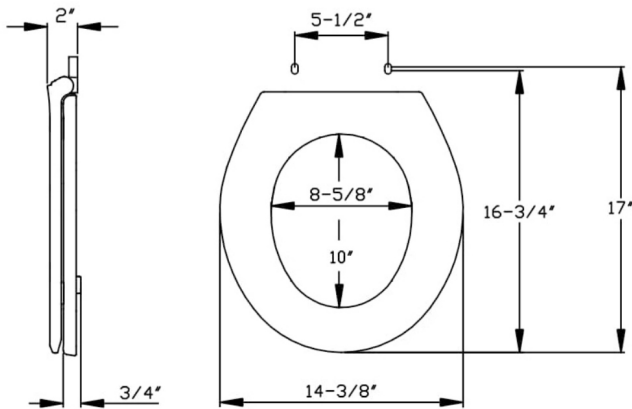
## Features

### Safety Close

Safety Close hinge eliminates slamming, prevents child or pet injury.

### Length Adjustment

Seat can be adjusted during installation for proper fit.



Dimensions shown are nominal and may vary within a range of tolerance. Product specifications are subject to change without notice.