

Ariosa 6032 Acrylic Freestanding Bathtub

Model number:

106266-000-001-100

Dimensions: 60" x 32" x 28"

Installation: FreeStanding

Material: Acrylic

Standard Features:

- 2-piece bathtub with asymmetrical look and concealed seam
- Recessed deck with ample space for faucet installation
- Maximized bathing well with end drain
- Above-the-Floor Rough (AFR) and F² Drain compatible
- MAAX innovative leveling legs for easy installation
- Apron available in white and 3 designer colors



Standard Colors:



White

Certifications

MAAX products adhere to one or more of the following certifications:



MAAX

Ariosa 6032 Acrylic Freestanding Bathtub

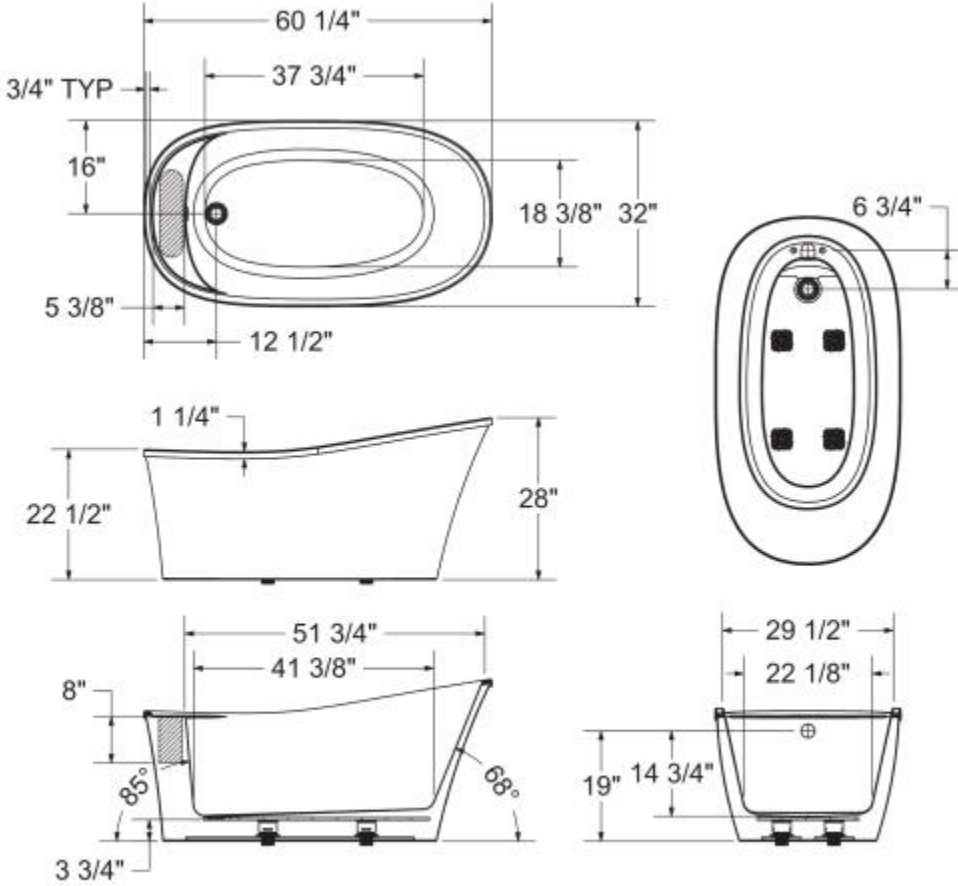
Model number:

106266-000-001-100

Dimensions: 60" x 32" x 28"

Installation: FreeStanding

Material: Acrylic



() : Recommended facet area of 15" (L) x 4" (W).
Depth recommended for straight pipes 8".

All dimensions are approximate. Structure measurements must be verified against the unit to ensure proper fit.

Dimensions

60 x 32 x 28 In.
(1524 x 813 x 711 mm)

Water Capacity

46 gallons - 173 liters

Weight

87 lbs - 39 1/2 kg

Bathing Well

51 3/4 In. x 49 1/2 In.
(1314 mm x 1257 mm)

Deep Sump Height

18 In. - 457 mm

Deck Width

5.375 In. - 137 mm

Drain location:

End

Project:

Contractor:

Representative:

Date:

Tel:

Notes:

MAAX