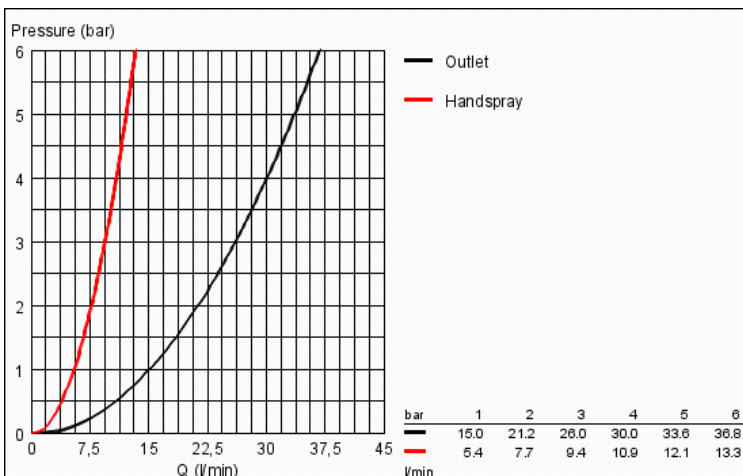
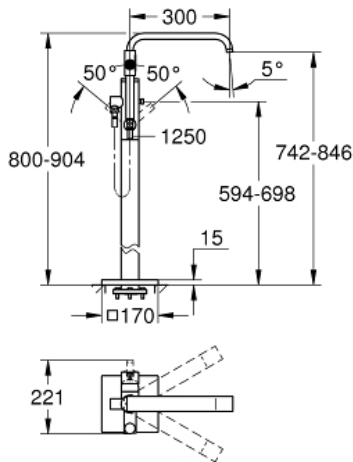
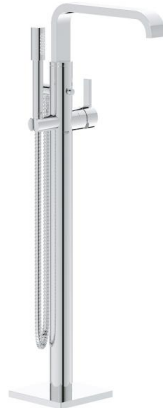


ALLURE
Single-lever bath mixer 1/2"
MODEL # 32754001

GROHE CANADA, INC. | 5900 Avebury Road, Mississauga, Ontario, Canada L5R 3M3
Phone: 905-271-2929 | Fax: 905-271-9494 | info@grohe.ca

Pure Freude
an Wasser



ADA

Product Description:
Single-lever bath mixer 1/2"

Standard Specification:

- Floor standing tub filler
- Final installation set for:
 - 45 984
 - Requires Rough-In Set (29 038 001) (sold separately)
- **GROHE SilkMove** ceramic cartridge
- **GROHE StarLight** chrome finish
- Automatic diverter: bath/shower
- Swivel tubular spout with mousseur and stop limiter
- 11 13/16" Spout reach
- Integrated non-return valve in the shower outlet 1/2"
- With shower holder
- Sena handshower
- Shower hose 1500 mm
- Protected against backflow
- Min. recommended pressure: 1.0 bar
- Max Flow Rate 7 gpm at 45 psi (26.5 L/min), 2.5 gpm at 80 psi (9.5 L/min) for Hand Shower

Applicable Codes & Standards:

- Energy Policy Act of 1992
- ASME A112.18.1/CSA B125.1
- US Federal and State material regulations
- ICC/ANSI A117.1

Color:

□ 32754001 chrome