

Certified to comply with ANSI A112.18.1  
M968972 Rev. 1.3

### COLONY SOFT Single Control Lavatory Faucet with Speed Connect™ Drain

**Congratulations on purchasing your American Standard faucet with the Speed Connect drain, a feature found only on American Standard faucets.**

#### Speed Connect Drain\*

- Fewer parts, installs in less time
- Never needs adjustment
- Guaranteed to seal properly the first time, every time.

\*Your new American Standard faucet is designed to work only with the Speed Connect drain.

**To ensure that your installation proceeds smoothly-please read these instructions carefully before you begin.**

#### Recommended tools



Screwdriver



Channel Locks



Adjustable Wrench



Plumbers' Putty or Caulking



Tubing Cutter

## 1

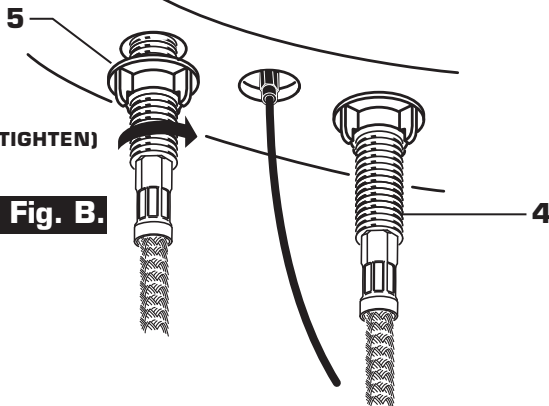
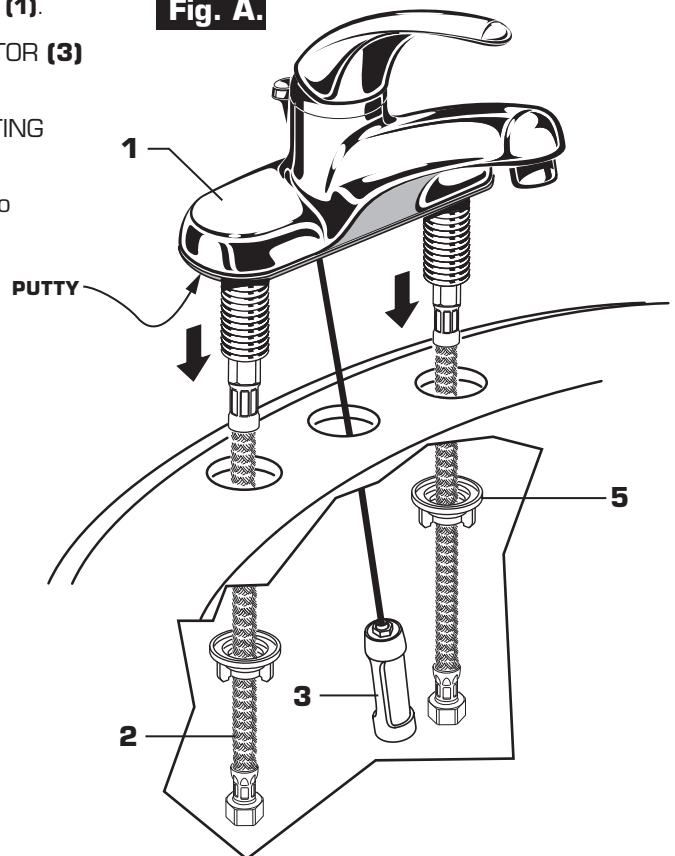
### INSTALL FAUCET

#### CAUTION

Turn off hot and cold water supplies before beginning.

- Apply a bead of putty along the edge of the underside of the FAUCET (1).
- Insert FAUCET (1), FLEX SUPPLIES (2) and CABLE CONNECTOR (3) through center hole of mounting surface. **Fig. A.**
- From under side of mounting surface thread the two MOUNTING NUTS (5) onto FAUCET SHANKS (4). **Fig. B.**
- Center FAUCET (1) and hand tighten MOUNTING NUTS (5) to secure FAUCET (1).

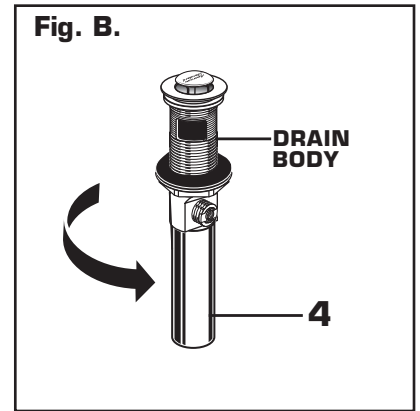
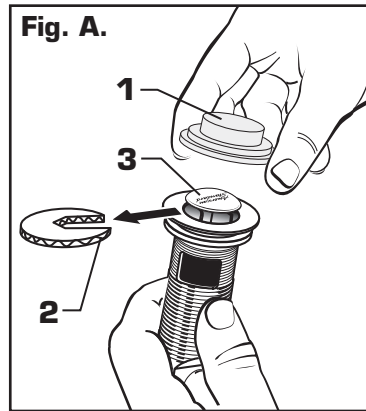
**Fig. A.**



**Fig. B.**

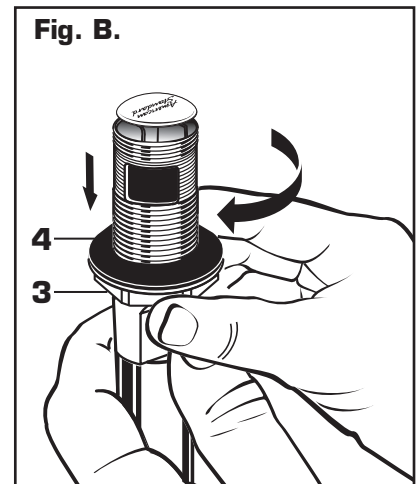
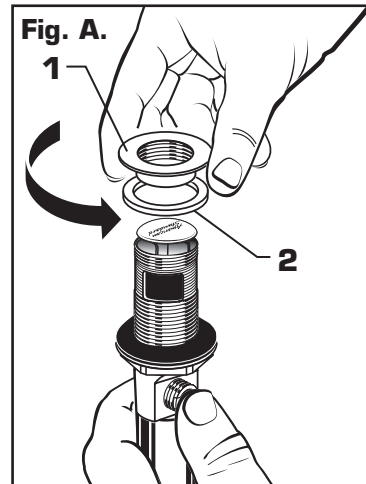
## 2 POP-UP DRAIN

- Remove CLEAR PLASTIC COVER (1).
- Remove CARDBOARD SPACER (2) from under DRAIN POP-UP (3).
- Tighten TAILPIECE (4) on DRAIN BODY before installing DRAIN BODY. Fig. B.



## 3 REMOVE FLANGE

- Thread FLANGE (1) counter-clockwise and remove FLANGE (1) and FOAM GASKET (2) from drain body. Fig. A.
- Thread LOCKNUT (3) clock-wise to bottom of drain body. Push GASKET (4) down against LOCKNUT (3). Fig. B.

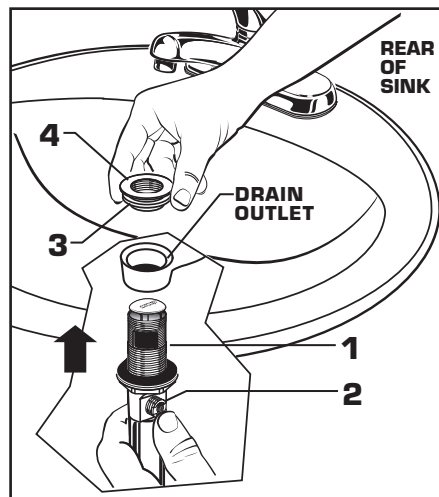


## 4 INSTALL DRAIN FROM BELOW FIXTURE

- From under side of SINK install DRAIN BODY (1) up through drain outlet.

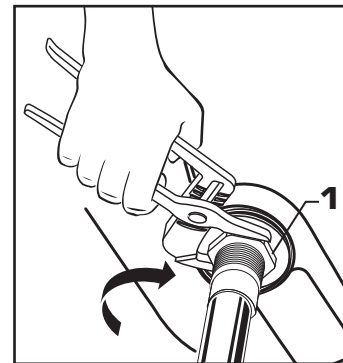
**Note:** No plumber's putty or caulk is required. The CABLE ATTACHMENT POINT (2) must face towards the rear of the SINK.

- Install FOAM GASKET (3) and FLANGE (4) onto drain body from above SINK and tighten FLANGE (4) firmly.



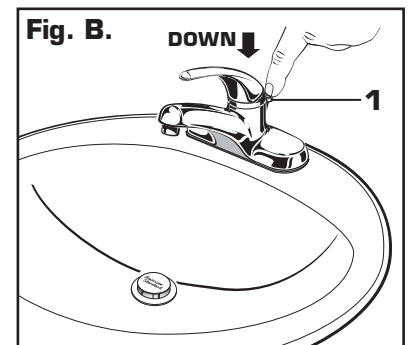
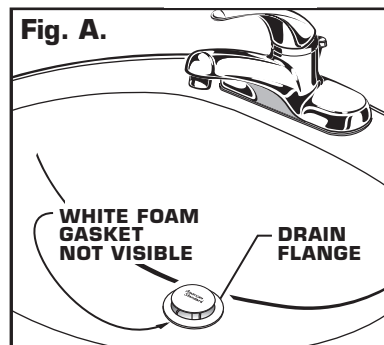
## 5 TIGHTEN LOCKNUT

- Tighten LOCKNUT (1) firmly with Adjustable Wrench or Channel Locks.



## 6 FLANGE GASKET AND POP-UP KNOB

- Check DRAIN FLANGE in SINK to ensure that WHITE FOAM GASKET (3) is fully compressed and not visible. Fig. A.
- POP-UP KNOB (1) must be fully down. Fig. B.

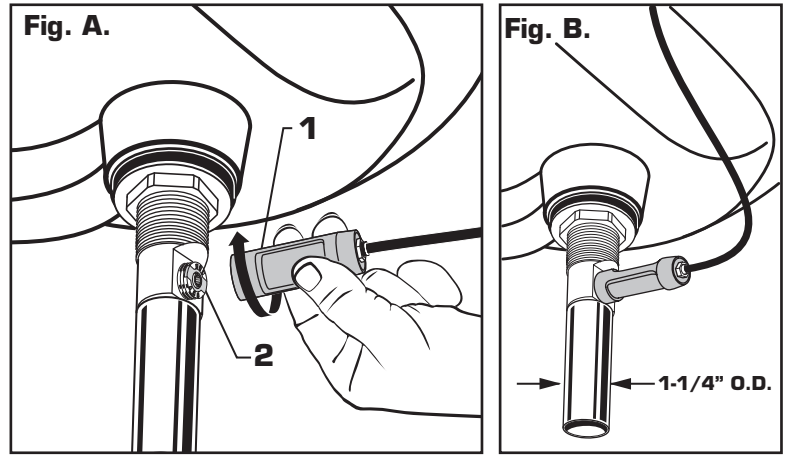


## 7 ATTACH CABLE CONNECTOR

- Thread CABLE CONNECTOR (1) clockwise onto DRAIN BODY CONNECTION (2) and hand tighten. **Fig. A.**

Your new POP-UP DRAIN installation is now complete. **Fig. B.**

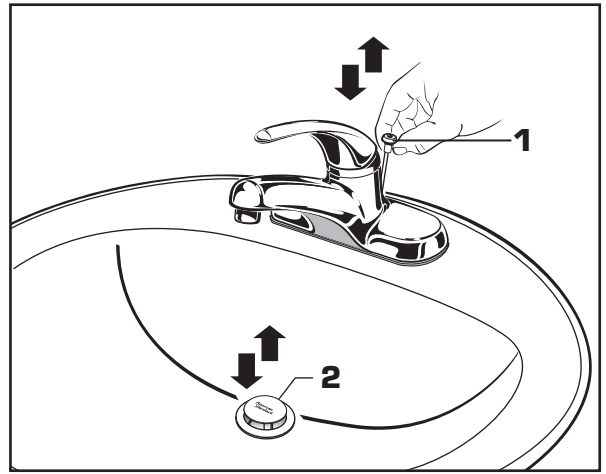
**Note:** Tailpiece on pop-up drain is 1-1/4" O.D. **Fig. B.**



## 8 CHECK OPERATION OF POP-UP

- Operate LIFT KNOB (1) to verify that STOPPER (2) opens and closes.

**Note:** If STOPPER (2) does not open and close properly then refer to the "troubleshooting section" of these instructions.

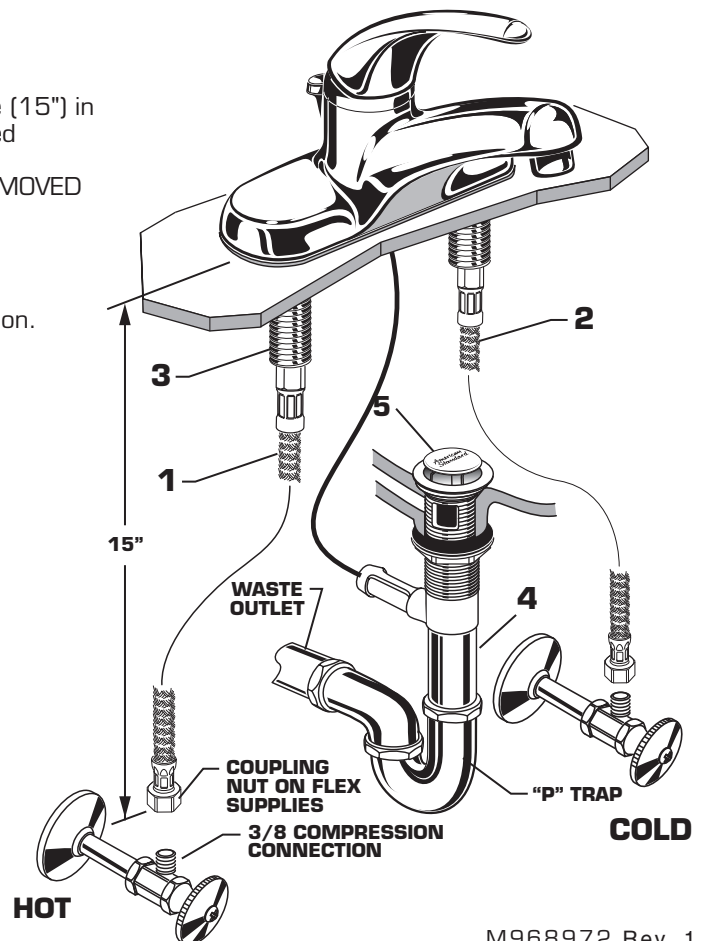


## 9 MAKE WATER SUPPLY AND WASTE CONNECTIONS

- Note:** FLEXIBLE HOSES (1, 2) on FAUCET SHANKS (3) are (15") in length from base of faucet. If longer supply length is required installer must purchase adapters and additional supplies to complete connections. FLEXIBLE HOSES (1, 2) MAY BE REMOVED IF USE OF 3/8" O.D. BULL-NOSE RISERS IS REQUIRED.

**Important:** If SUPPLY HOSES (1, 2) are too long, loop to avoid kinking. (Do not cut Flexible Hoses 1, 2)

- Connection on FLEXIBLE HOSES (1, 2) are 3/8" compression. Connect LEFT SUPPLY (1) to Hot shut off valve and RIGHT SUPPLY (2) to Cold shut off valve.
- Use adjustable wrenches to tighten connections. Do not over tighten.
- Connect 1-1/4" O.D. TAILPIECE (4) on POP-UP DRAIN to "p" trap.



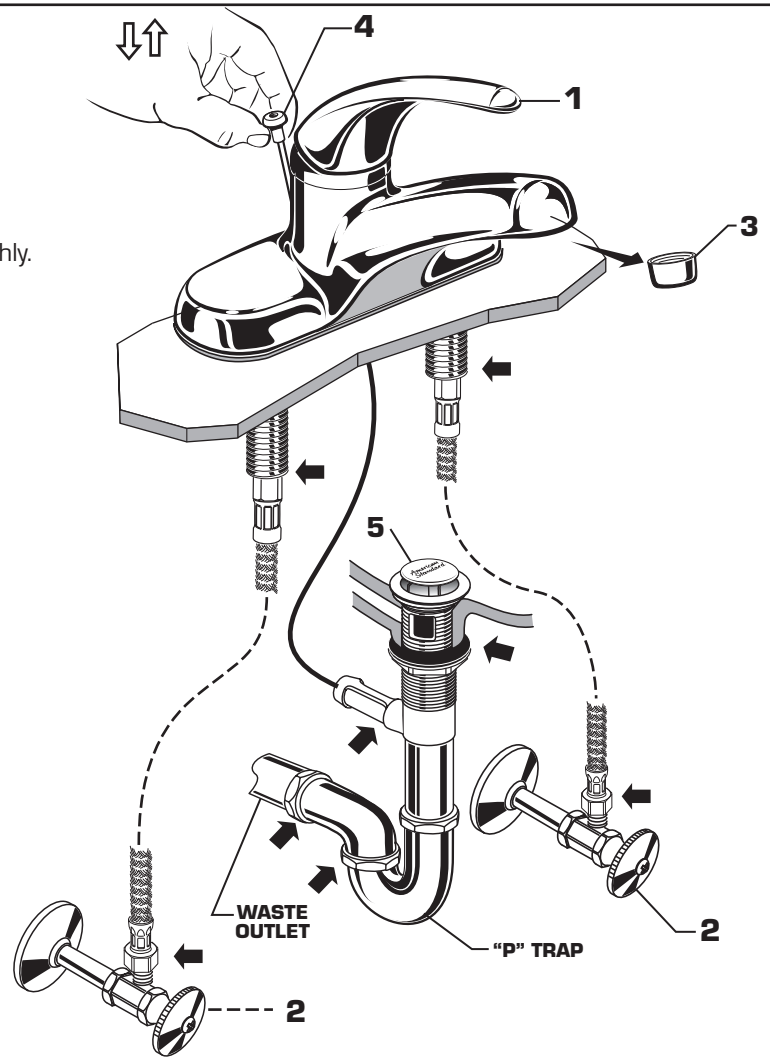
M968972 Rev. 1.3

## 10 TEST INSTALLED FITTING

- With HANDLE (1) in OFF position, turn on WATER SUPPLIES (2) and check all connections for leaks. ➡
- Remove AERATOR (3).
- Operate both HANDLE (1) to flush water lines thoroughly.
- Replace AERATOR (3).

### CHECK DRAIN CONNECTIONS

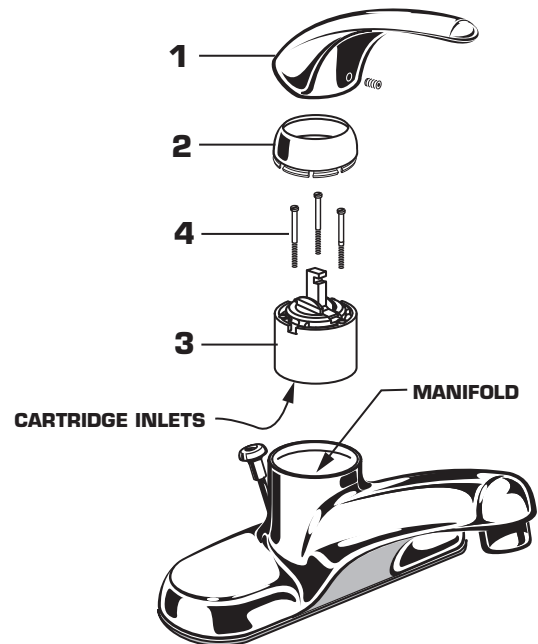
- Operate POP-UP KNOB (4) and fill lavatory with water. Check that DRAIN STOPPER (5) makes a good seal and retains water in SINK. If DRAIN STOPPER (5) does not seal properly, please refer to Troubleshooting section in these instructions.
- Release POP-UP KNOB (4) down and check all drain connections and "P" trap for leaks. ➡ Tighten if necessary.



## 11 SERVICE

### If Faucet Drips Proceed As Follows:

- Turn VALVE in OFF position.
- If faucet drips, operate handle several times from "off" to "on". Do not apply excessive force.
- Clogged CARTRIDGE INLETS may cause reduced flow in "full on" hot or cold. To clean inlets, first turn off water supply, then:
- Remove HANDLE (1), CAP (2) and CARTRIDGE (3).
- Clean CARTRIDGE INLETS and MANIFOLD.
- Reassemble CARTRIDGE (3), alternately tightening SCREWS (4). Replace CAP (2) and HANDLE (1). Check flow.



## 12 CARE INSTRUCTIONS:

**DO: SIMPLY RINSE THE PRODUCT CLEAN WITH CLEAR WATER. DRY WITH A SOFT COTTON FLANNEL CLOTH.**

**DO NOT: DO NOT CLEAN THE PRODUCT WITH SOAPS, ACID, POLISH, ABRASIVES, HARSH CLEANERS, OR A CLOTH WITH A COARSE SURFACE.**

M968972 Rev. 1.3

## Speed Connect™ Drain Troubleshooting Guide

If sink does not hold water even though Stopper is in the “down” position:

- Follow CABLE ADJUSTMENT PROCEDURE.

If Stopper does not raise up fully or sink drains too slowly:

- Follow CABLE ADJUSTMENT PROCEDURE.

If you need to remove the Stopper:

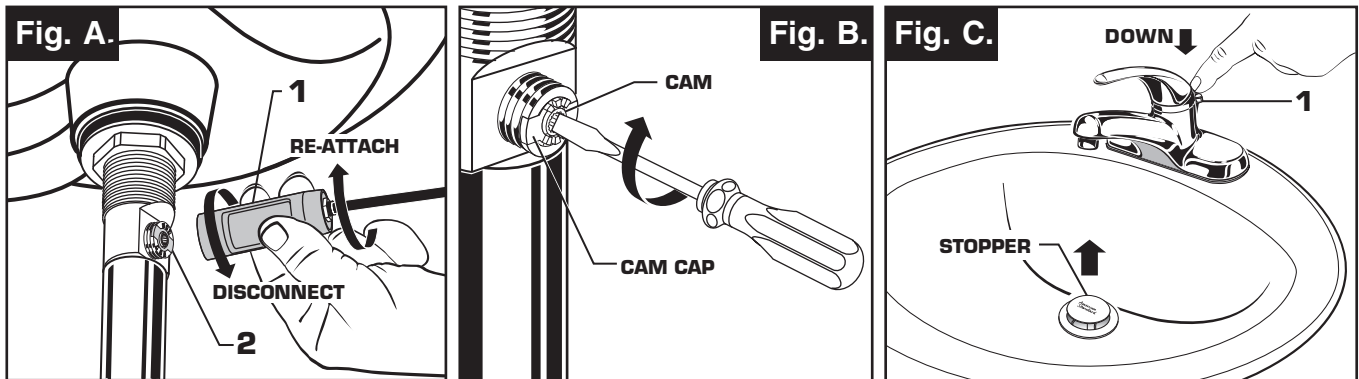
- Follow STOPPER REMOVAL PROCEDURE.

If you would like the ability to remove your Stopper simply by lifting it out of the drain:

- Follow STOPPER INSTALLATION PROCEDURE for “Unlocked” mode.

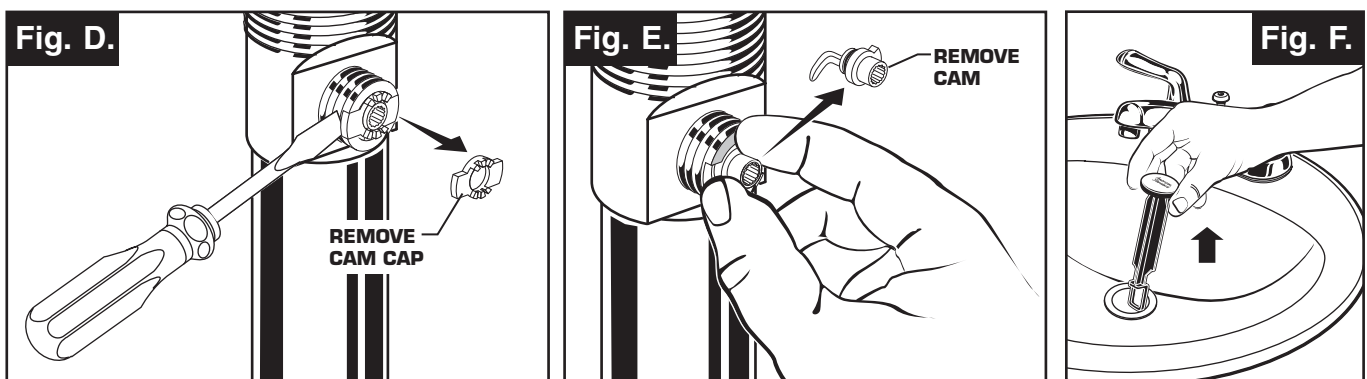
### CABLE ADJUSTMENT PROCEDURE

- Disconnect the Cable from the Drain by threading the Cable Connector **(1)** counter-clockwise. **Fig. A.**
- Look at the area on the Drain Body where the Cable was attached and locate the component labeled as “Cam” in the illustration. **Fig. B.**
- Use a small screwdriver to rotate the Cam in the clockwise direction as far as it will go. At this point the Stopper should be in the UP position. **Fig. B, C.**
- Push DOWN on the Lift-Knob to make sure it is fully down. **Fig. C.**
- Re-attach the Cable to the Drain Body Connection **(2)** by threading the Cable Connector **(1)** clockwise onto the Drain Body Connection **(2)** and hand-tighten. **Fig. A.**



### STOPPER REMOVAL PROCEDURE

- Disconnect the Cable from the Drain by threading the Cable Connector **(1)** counter-clockwise. **Fig. A.**
- Look at the area on the Drain Body where the Cable was attached and locate the component labeled as “Cam” and “Cam Cap” in the illustration. **Fig. B.**
- Use fingers or small screwdriver under either side of the Cam Cap to pry it out from the Drain. **Fig. D.**
- Remove the Cam by pulling it straight out while wiggling gently to loosen the Rubber Seal. **Fig. E.**
- The Stopper can now be removed by lifting it out of the Drain. **Fig. F.**

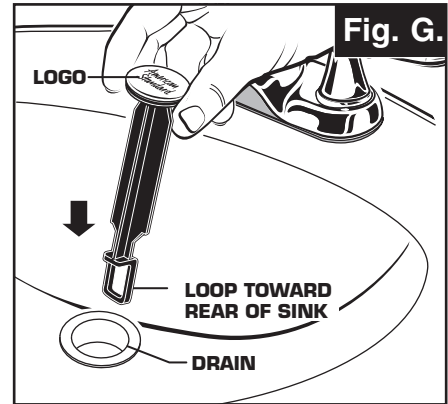


## STOPPER INSTALLATION PROCEDURE

The Stopper can be installed two ways, “Locked” Mode (Stopper cannot be removed) or “Unlock” Mode (Stopper is removable).

### Locked Mode:

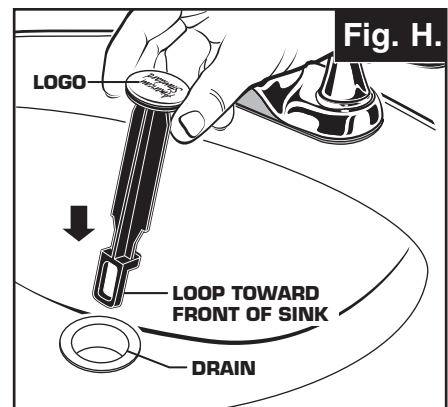
- Look at the Plastic Loop at the bottom of the Stopper and notice that the Loop is on one side of the Stopper. **Fig. G.**
- To install the stopper in “Locked” mode, insert the Stopper into the Drain so that the Plastic Loop is facing toward the **rear** of the Sink and the American Standard logo is facing **front**. Rotate Stopper slightly if necessary so that the Stopper slides all the way down. **Fig. G.**
- Re-install the Cam into the Drain, rotating the Cam if necessary to make sure it is fully inserted. **Fig. J.**
- Re-install the Cam Cap, making sure the guide teeth are facing outward. If the Cam Cap does not “snap” into place, then rotate the Cam to make sure it is fully inserted. **Fig. K.**
- Re-attach Cable. See “CABLE ADJUSTMENT PROCEDURE” in Troubleshooting Guide to complete installation. Stopper will be in “Locked” mode and not be removable.



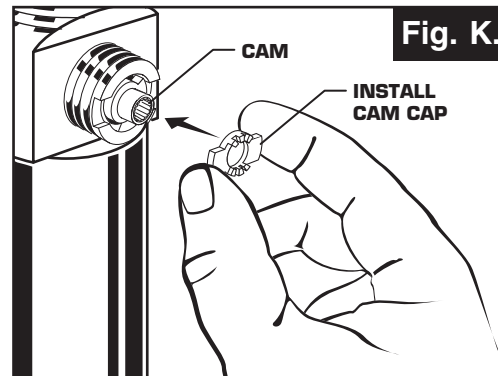
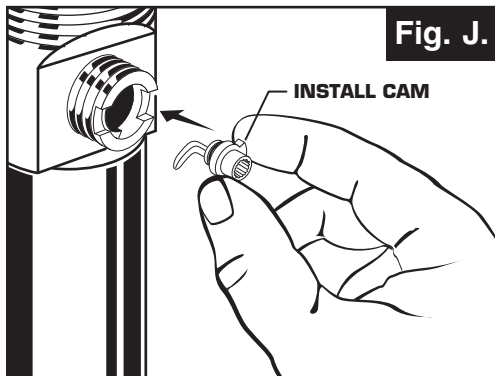
**Locked Mode  
(Vandal Proof)**

### Unlocked Mode:

- Look at the Plastic Loop at the bottom of the Stopper and notice that the Loop is on one side of the Stopper. **Fig. H.**
- To install the stopper in “Unlocked” mode, insert the Stopper into the Drain so that the Plastic Loop is facing toward the **front** of the Sink and the American Standard logo is facing **rear**. Rotate Stopper slightly if necessary so that the Stopper slides all the way down. **Fig. H.**
- Re-install the Cam into the Drain, rotating the Cam if necessary to make sure it is fully inserted. **Fig. J.**
- Re-install the Cam Cap, making sure the guide teeth are facing outward. If the Cam Cap does not “snap” into place, then rotate the Cam to make sure it is fully inserted. **Fig. K.**
- Re-attach Cable. See “CABLE ADJUSTMENT PROCEDURE” in “Troubleshooting Guide” to complete installation. Stopper will be in “Unlocked” mode and removable.



**Unlocked Mode**



# American Standard

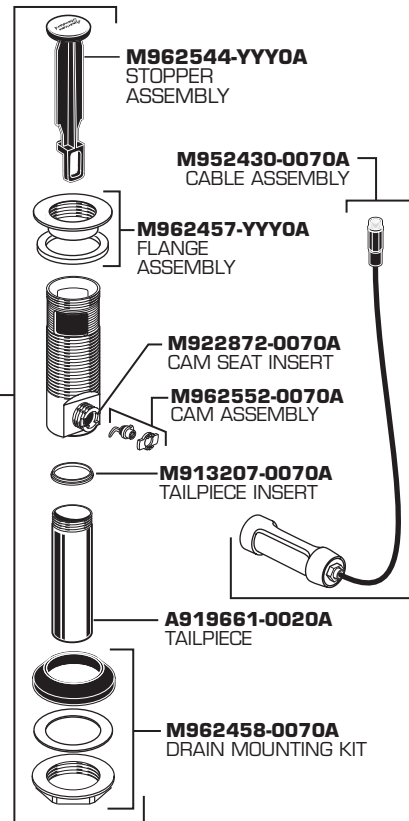
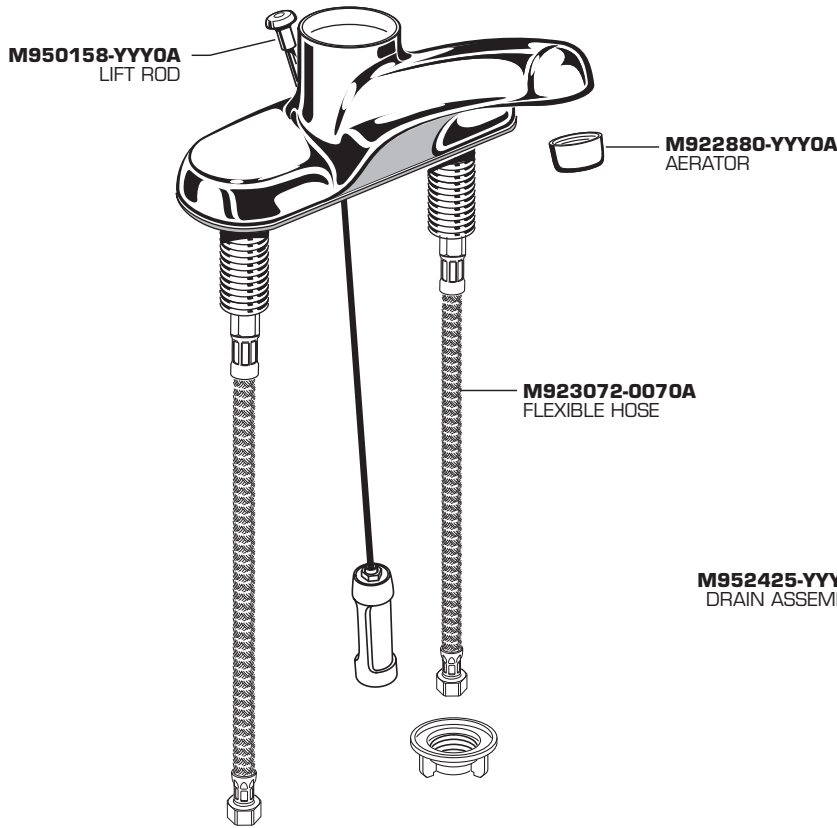
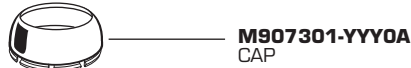
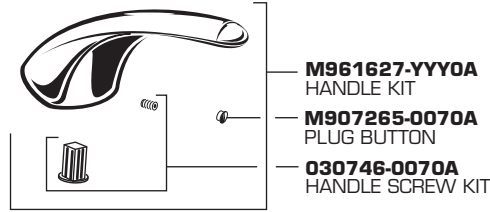
## COLONY SOFT SINGLE CONTROL CENTERSET FAUCET

MODEL NUMBER

**2175.562**

Replace the "YYY" with appropriate finish code

CHROME	002
BRASS	099



**HOT LINE FOR HELP**

For toll-free information and answers to your questions, call:  
1-800-442-1902  
Weekdays 8:00 a.m. to 6:00 p.m. EST  
IN CANADA 1-800-387-0369 (TORONTO 1-905-306-1093)  
Weekdays 8:00 a.m. to 7:00 p.m. EST  
IN MEXICO 01-800-839-12-00

Product names listed herein are trademarks of American Standard Inc.  
© AS America, Inc. 2008

M968972 Rev. 1.3

