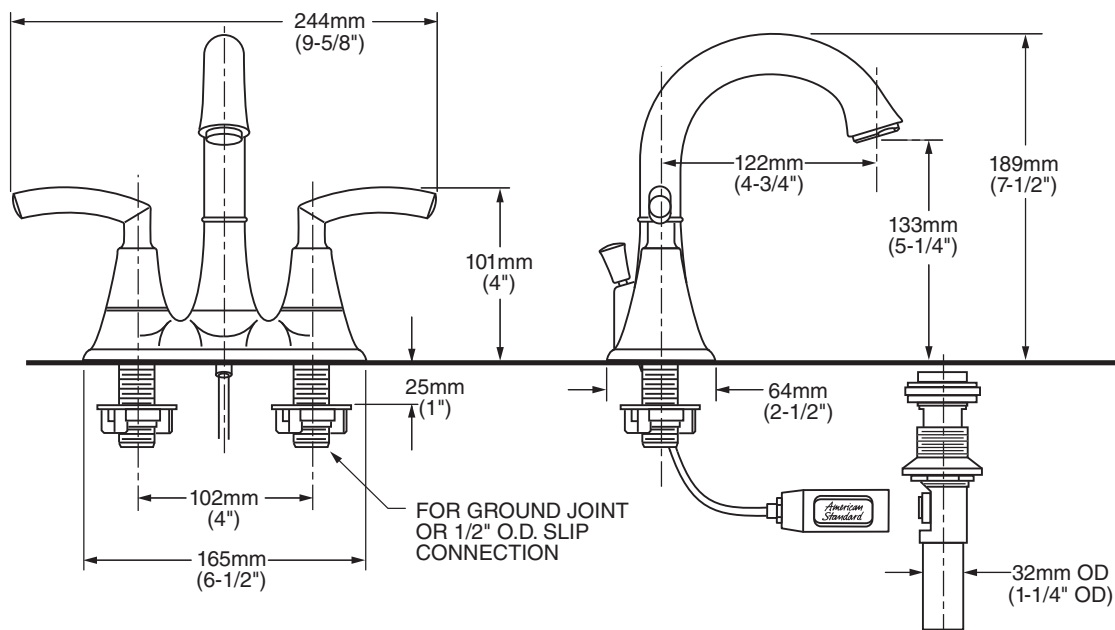


MODEL NUMBER:

- ☐ **7038.201 Tropic 2 Handle Centerset**
Metal Speed Connect® pop-up drain.
Metal Lever handles.



GENERAL DESCRIPTION:

Durable cast brass spout and metal lever handles. Cast brass waterway with one-half inch male inlet shanks and brass coupling nuts. 1/4 turn washerless ceramic disc valve cartridges. 20 inch (500mm) long flexible stainless steel drain cable is pre-assembled to faucet body. Metal Speed Connect® drain body with 1-1/4" (32mm) tail piece. 1.5 gpm/5.7L/min. maximum flow rate.

PRODUCT FEATURES:

- Cast Brass Spout and Waterway:** Durable. Ideal for prolonged contact with water.
- Ceramic Disc Valve Cartridges:** Assure a lifetime of smooth handle operation and drip-free performance.
- Lead Free:** Faucet contains 0.25% total lead content by weighted average.
- Exclusive Speed Connect Metal Drain:**
 - Fewer Parts - installs in less time.
 - No adjustments required - seals the first time, every time.
 - Flexible stainless steel cable - installs effortlessly in tight spaces.
- Simple Installation:** Fast and easy one person installation. Faucet drops in from top. Quick spin nuts secure faucet in place.

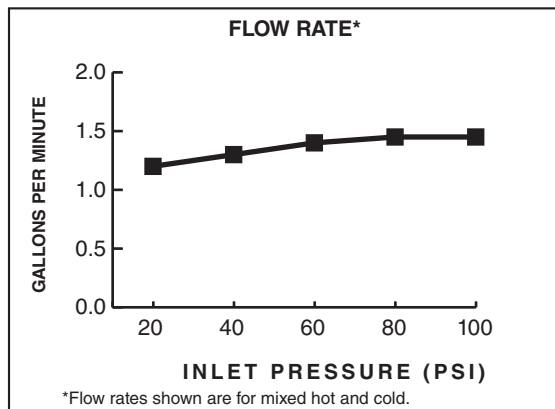
SUGGESTED SPECIFICATION:


4" centerset lavatory faucet shall feature a cast brass spout and waterway with 1/2" male inlet shanks. Shall feature 1/4 turn washerless ceramic disc valve cartridges. Shall also feature a metal drain body with stainless steel cable actuation. Fitting shall be American Standard Model # 7038.201.____.


CODES AND STANDARDS

These products meet or exceed the following codes and standards:

- ANSI A117.1**
- ASME A112.18.1**
- CSA B 125.1**
- NSF 61/Section 9 & Annex G**



Product Number	Description		Finish Options	
			Polished Chrome	PVD Satin Nickel
			002	295
7028.201	Tropic 2 Handle Centerset with Metal Speed Connect® Pop-up drain. Metal Lever handles.			

 Meets the American Disabilities Act Guidelines and **ANSI A117.1** Requirements for the physically challenged.