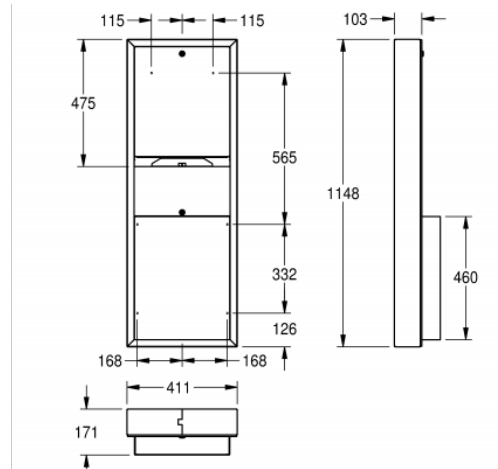


COMBINATION: RODX602

RODX602 | 2000090059



Paper towel dispenser, waste bin combination for wall mounting, stainless steel, surface satin finished, material thickness 22 gauge folded front cover, cylinder lock with Franke standard key, loading capacity 500 - 800 pcs. of paper depending on convolution, waste bin with approx. 23 litre capacity, including stainless steel screws and dowels.

**TECHNICAL DATA**

combination part 1	paper towel dispenser
combination part 2	waste bin
filling quantity 1	800
filling quantity 1 uom	pieces
filling quantity 2	23
filling quantity 2 uom	liter
gross weight	16.27 kg
lock 1	key-lock
lock 2	key-lock
material	STAINLESS-STEEL
material code	1.4301 Chrome Nickel steel V2A
material thickness	1/16"
net weight	14.42 kg
Overall front to back	6 3/4"
overall height	45 3/16"
Overall left to right	16 3/16"
Cabinet finish	satin finished
type of consumable 1	paper towel
type of fixing	screw
type of mounting	wall mounting

**PROJECT INFORMATION**

Item Location \_\_\_\_\_

Project Number \_\_\_\_\_

Quote Number \_\_\_\_\_

Notes \_\_\_\_\_

Engineer's Approval