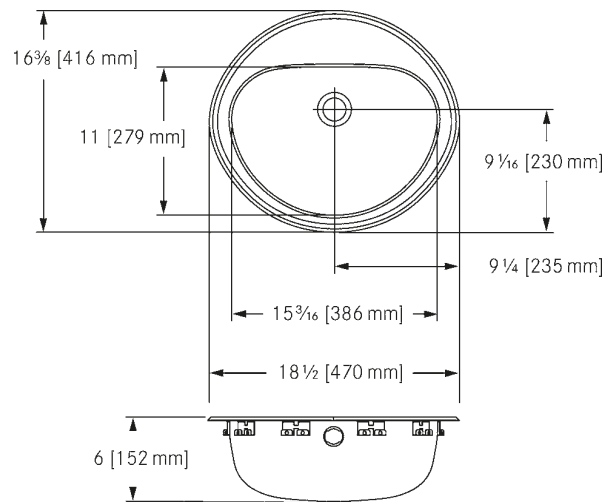


OV1619-6-3 Vanity with ledge, overflow | 214.0493.215



Single compartment self rimming vanity basin with faucet ledge. 18 gauge (1.2 mm), type 304 (CNS 18/10) stainless steel. Mirror finished rim, #4 satin finished bowl. Undercoated to reduce condensation and resonance. Includes factory applied rim seal, cutout template, and installation hardware. Certified to ASME A112.19.3-2008 / CSA B45.4-08. Wheelchair accessible: meets ADA (Americans with disabilities act guidelines), ANSI A117.1 (Accessible and usable buildings and facilities), and CSA B651-04 (Accessible design for the built environment). Check local codes to ensure compliance. Centre back waste location, accepts 1 1/4" (32 mm) waste assembly (not included), integral overflow at front of bowl. 3 faucet holes, 1 1/8" (28 mm) diameter, 4" (102 mm) centreset. 16 3/8 x 18 1/2" Overall. 11 x 15 3/16 x 6" Bowl. (FB x LR x D). 416 x 470 mm Overall. 279 x 386 x 152 mm Bowl. (FB x LR x D).

Product Dimensions

Overall front to back	16.378
Overall left to right	18.504
Bowl dimension front to back	10.984
Bowl dimension left to right	15.197
Bowl depth	5.984

Installation

Installation type	Topmount
Installation system	EZ Claw

Product specifications

Gauge	18
Wheelchair accessibility	Yes
Certification	cUPC
Type of material	Type 304
Material code	CNS 18/10
Surface finish	Mirror rim, satin bowl
Number of bowls	1
Faucet ledge position	Yes
Number of faucet holes	3
Waste location	Center back
Waste size	1 1/4" (32mm)

Product identification

Model	OV1619-6-3
Product brand	FRANKE

Product category	Vanity basins
Features	
Overflow location	Yes
Waste assembly	Not included