

# INSTALLATION INSTRUCTIONS

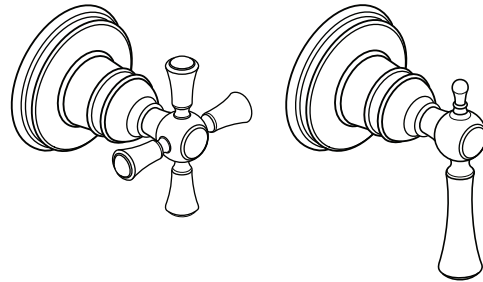


AMERICAN STANDARD

## Randall™ Handle Trim Kits for Straight Wall Valves

**Cross Handle**  
**Model D35102.740**

**Lever Handle**  
**Model D35102.700**



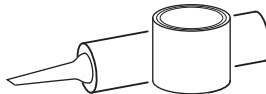
*Thank you for selecting DXV by American Standard. To ensure that your installation proceeds smoothly, please read these instructions carefully before you begin.*

### RECOMMENDED TOOLS AND MATERIALS

Most of the procedures require the use of common tools and materials, which are available from hardware and plumbing, supply stores. It is essential that the tools and materials be on hand before work is begun.



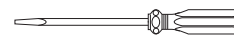
Adjustable Wrench



Plumbers' Putty or Caulking



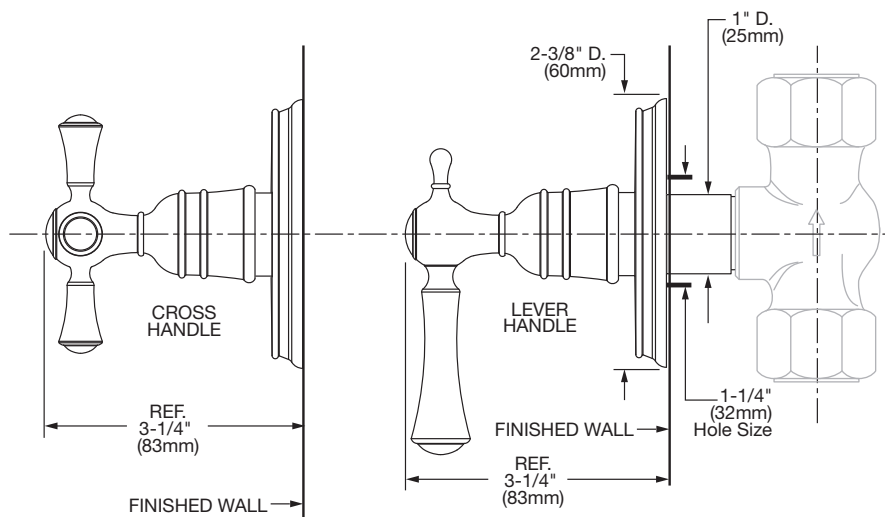
Phillips Screwdriver



Regular Screwdriver

### ROUGHING-IN DIMENSIONS:

- For reference



#### In the United States:

DXV by American Standard  
One Centennial Avenue  
Piscataway, New Jersey 08855  
Attention: Director of Customer Care

For residents of the United States, warranty information may also be obtained by calling the following toll free number: (800) 227-2734  
[www.DXV.com](http://www.DXV.com)

#### In Canada:

DXV by American Standard  
5900 Avebury Road  
Mississauga, Ontario  
L5R 3M3  
Canada

Toll Free: 1-800-387-0369  
Local: 905-306-1093  
Fax: 1-800-395-1498  
[www.DXV.ca](http://www.DXV.ca)

#### In Mexico:

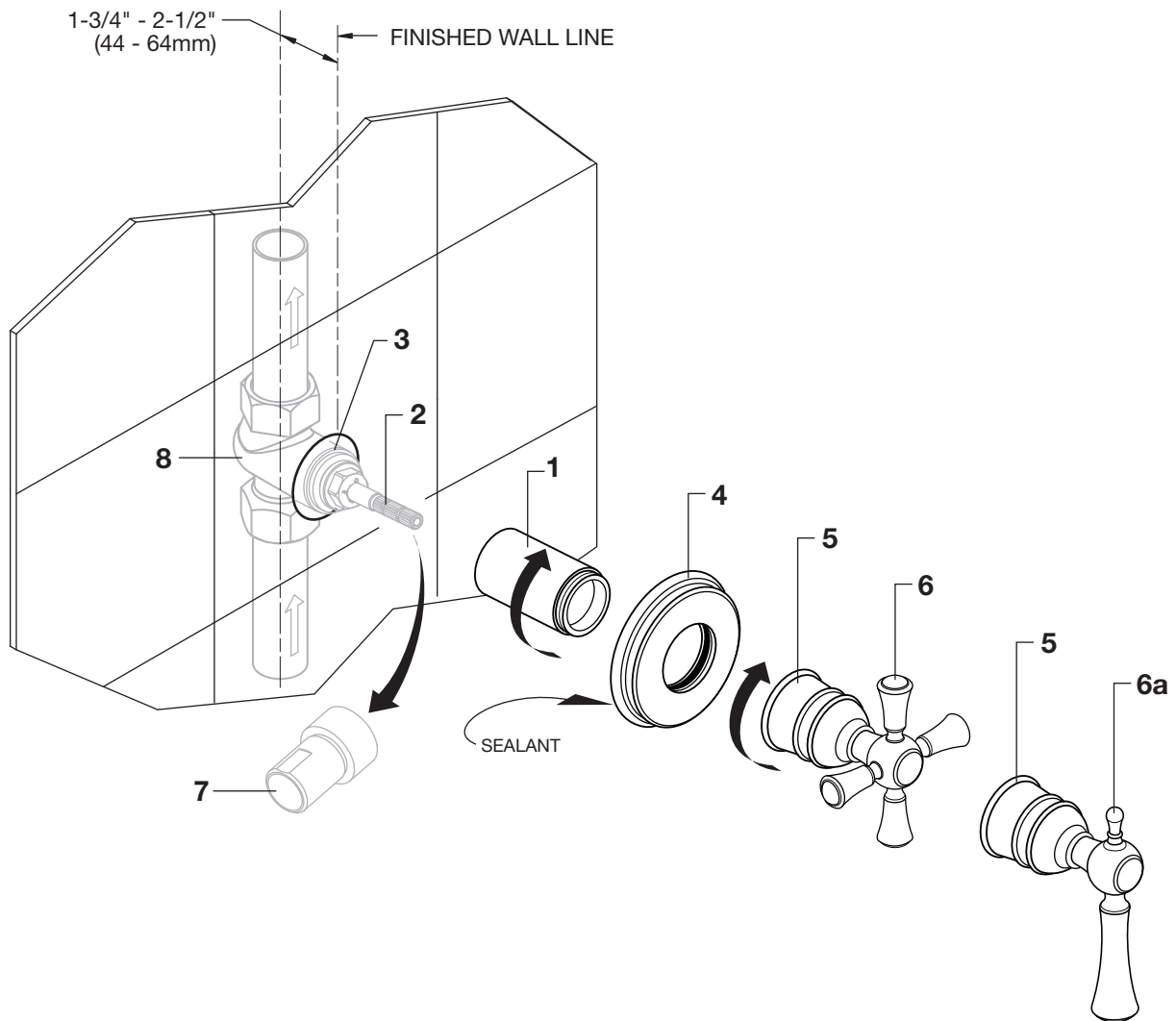
DXV by American Standard  
Via Morelos 330  
Col. Santa Clara Coatitla  
Ecatepec, Estado de México 55540

Toll Free: 01-800-8391200  
[www.DXV.mx](http://www.DXV.mx)

SAVE FOR FUTURE USE

**1** **INSTALL VALVE TRIM** **CAUTION** Turn off hot and cold water supplies before beginning.

- Install WALL VALVE (8) per roughing-in dimensions.
- Twist and pull off PLASTER GUARD (7).
- Place BARREL SLEEVE (1) over VALVE STEM (2) and thread tight onto VALVE (3).
- Apply sealant to groove on back side of ESCUTCHEON (4). Slide ESCUTCHEON (4) onto BARREL SLEEVE (1) flush against finished wall to cover wall opening.
- With VALVE in off position align HANDLES (6, 6a) as shown or as desired. Install HANDLES (6, 6a) onto VALVE STEM (2). Thread BONNET NUT (5) onto BARREL SLEEVE (1) until it seats tight against the internal stop.





AMERICAN STANDARD

# Randall™ Handle Trim Kits for Straight Wall Valves

### MODEL NUMBERS

Cross Handle  
**D35102.740**

Lever Handle  
**D35102.700**

Replace the "XXX" or "YYY" with  
appropriate finish code

|                 |     |
|-----------------|-----|
| POLISHED CHROME | 100 |
| BRUSHED NICKEL  | 144 |
| PLATINUM NICKEL | 150 |

