

GEBERIT INSTALLATION SYSTEM

For 1.6/0.8 GPF (6/3 LPF) and 1.28/0.8 GPF (4.8/3 LPF) Wall-Hung Toilets, 2x6 Installations

PRODUCT SPECIFICATIONS

In-Wall Duofix carrier system and Sigma concealed tank with actuator flush panel or pneumatic push button for washdown wall-hung toilets. System shall fit within minimum 5½" (146 mm) framing wall or plumbing chase, with wood construction or steel framing members placed 19¾" (500 mm) apart. Framing members should be capable of supporting a 880 pound (400 kg) load without damage to the wall. Water supply shall have flow diameter no smaller than 1/2" (13 mm) copper tube, and a minimum flow pressure of 2 PSI (0.01 MPa). The toilet bowl shall be a third party listed, 2-hole wall-hung 1.6 GPF (6 LPF) or 1.28 GPF (4.8 LPF) single-flush, 1.6/0.8 GPF (6/3 LPF) or 1.28/0.8 GPF (4.8/3 LPF) dual-flush. The carrier frame shall be adjustable for bowl rim heights from 15" to 19" (381 to 483 mm). Actuator flush panels shall be diecast zinc, molded plastic or fabricated stainless steel and plated to preserve material integrity. All components shall be compliant with applicable codes and product standards.

FEATURES

- Water consumption – Dual-flush system, 1.6/0.8 GPF (6/3 LPF) or 1.28/0.8 GPF (4.8/3 LPF)
- Anti-siphon fill valve
- Impact resistant high density polyethylene (HDPE) tank, insulated to prevent condensation
- 16-gauge, powder-coated, structural-steel tubing rated to 880 lbs. (400 kg) without damage to finished wall or carrier unit
- Bowl rim height adjustments from 15" to 19" (381 to 483 mm)
- 49" (1245 mm) frame height
- For finished walls up to 3½" (9cm) thick
- For use with Geberit Sigma actuator plates (not included)
- Includes installation and rough-in materials

Complies with the latest editions of:

- ASME: A112.6.2, A112.19.5, A112.19.14
- ANSI Z124.4
- CSA B125.3
- ANSI/ASSE 1002
- IAPMO PS-50
- UNAR / UNAR-HET
- ASME A112.19.2
- This concealed tank is WaterSense® listed or compliant when used in combination with the toilet bowl models listed on page 3 of this DOCUMENT
- State of Massachusetts listed

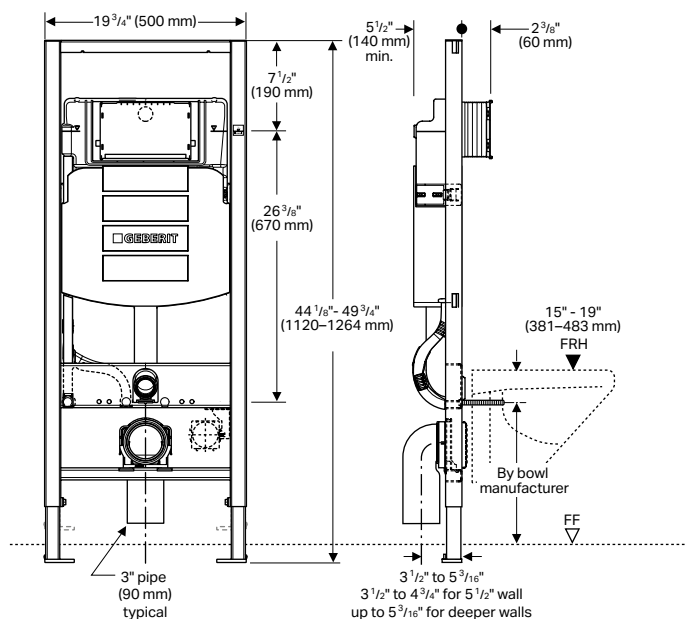
WARRANTY

- Limited lifetime warranty on tank and carrier, 10-year warranty on fill valve and flush valve. One-year warranty on actuator flush plates

Products marked with comply with the American Disabilities Act (ADA) when installed per the requirements of the latest ADA Accessibility Guidelines (ADAAG) and/or ICC/ANSI A117.1.

Where water closet grab bars are required and corresponding reinforcement provided as outlined in the latest NYC Building Code and Federal FHA Guidelines, the installed product complies both for grab bars installed at the time of initial construction as well as for grab bars planned for future installation.

Model No.	Description	
111.335.00.5	Carrier frame with 1.60/0.8 GPF Sigma Concealed Tank	
111.902.00.5	Carrier frame with 1.28/0.8 GPF Sigma Concealed Tank	



ARCHITECT/ENGINEER APPROVAL

Job Name: _____

Date: _____ Quantity: _____

Model Specified: _____

Variations Specified: _____

Customer/Wholesaler: _____

Contractor: _____

Architect: _____

GEBERIT INSTALLATION SYSTEM

For 1.6/0.8 GPF (6/3 LPF) and 1.28/0.8 GPF (4.8/3 LPF) Wall-Hung Toilets, 2x6 Installations

COMPATIBLE 1.28/0.8 GPF (4.8/3 LPF) WALL-HUNG TOILET BOWL MODELS



Brand Name	Model Number*	Model Name
Duravit	252909	ME by Starck
	252959	ME by Starck
	253009	ME by Starck
	251109	Viu
	251159	Viu
TOTO	CT426CFG#01	AP
	CT426CFGT40#01	AP
	CT428CFG#01**	EP
	CT428CFGT40#01**	EP
	CT437FG#01**	MH
	CT437FGT20#01**	MH
	CT447CFG#01	RP
	CT447CFGT60#01	RP
	CT449CFG#01	SP
	CT449CFGT60#01	SP

WATERSENSE LISTED EPA HIGH EFFICIENCY COMPATIBLE 1.28/0.8 GPF (4.8/3 LPF) WALL-HUNG TOILET BOWL MODELS



Brand Name	Model Number*	Model Name
Duravit	252909***†	ME by Starck
	252959†	ME by Starck
	253009†	ME by Starck
	251109†	Viu
	251159†	Viu
TOTO	CT426CFG#01†	AP
	CT426CFGT40#01†	AP
	CT428CFG#01**	EP
	CT428CFGT40#01**	EP
	CT437FG#01**	MH
	CT437FGT20#01**	MH
	CT447CFG#01	RP
	CT447CFGT60#01	RP
	CT449CFG#01†	SP
	CT449CFGT60#01†	SP

* Consult toilet manufacturers for up-to-date model numbers and availability.

** Meets 600 grams MaP performance score.

*** Meets 800 grams MaP performance score.

† Pending WaterSense certification as of October 2020.

GEBERIT INSTALLATION SYSTEM

For 1.6/0.8 GPF (6/3 LPF) and 1.28/0.8 GPF (4.8/3 LPF) Wall-Hung Toilets, 2x6 Installations

COMPATIBLE 1.6/0.8 GPF (6/3 LPF) WALL-HUNG TOILET BOWL MODELS



Brand Name	Model Number*	Model Name
Blu Bathworks	LW6008	Coco
	LW6030A	Coco
	LW6020A	Metrix
Devon & Devon	WCSBLU	Blues
	WCSNET	Etoile
	WCSET	New Etoile
	WCSRO	Rose
Duravit	253509***	D-Code
	254409**	Darling New
	254459**	Darling New
	254509	Darling New
	256309**	Darling New
	256359**	Darling New
	253609**	DuraStyle
	253709**	DuraStyle
	253759**	DuraStyle
	253809	DuraStyle
	253909	DuraStyle
	254209	DuraStyle
	254259	DuraStyle
	255109	DuraStyle
	257109**	DuraStyle
	256209**	DuraStyle Basic
	222209	Happy D.2

Brand Name	Model Number*	Model Name
Duravit	255009	Happy D.2
	255059***	Happy D.2
	256109***	P3 Comforts
	256159***	P3 Comforts
	253309	Starck 2
	253359	Starck 2
	253409	Starck 2
	222509***	Starck 3
	222609	Starck 3
	222659	Starck 3
	252709***	Starck 3
Icera	C-6610	Clarity
	C-2370	Piano
	P70360-00-0	Pleó
Kohler	K-6299	Veil
	K-6300	Veil
Lacava	5051WC	Giulia
	5051WC-MB	Navi
	6058.1	Suave

Brand Name	Model Number*	Model Name
Laufen	820338**	Kartell
	820339	Kartell
	820978	IlBagnoAlessi One
	820950***	Laufen Pro
	820968	Laufen Pro
	820969	Laufen Pro
	820963**	Laufen Pro S
	820708	Palace
Neo-Metro	820808**	Palomba
	820288	Val
	8951-W-1	Euro-Urban
	8957	Metaal
	8952	miniLOO
Villeroy & Boch	4688 UR XX**	Architectura
	5864 U1 XX	Architectura
	5627 U1 XX	La Belle
	5628 U1 XX	Memento
	6661 U0 XX	Strada
	4609 UR XX**	Subway
	5600 U0 XX	Subway
5614 UR XX	Subway	

WATERSENSE LISTED EPA HIGH EFFICIENCY COMPATIBLE 1.6/0.8 GPF (6/3 LPF) WALL-HUNG TOILET BOWL MODELS



Brand Name	Model Number*	Model Name
Duravit	253509	D-Code
	254409	Darling New
	254459	Darling New
	254509	Darling New
	253609	DuraStyle
	253709	DuraStyle
	253809	DuraStyle
	254209	DuraStyle
	254259	DuraStyle
	255109	DuraStyle
	256209	DuraStyle Basic
	222209	Happy D.2
	255009	Happy D.2
	255059	Happy D.2
	256109	P3 Comforts
	256159	P3 Comforts
	253309	Starck 2
	253359	Starck 2
	253409	Starck 2
	222509	Starck 3
	222609	Starck 3
222659	Starck 3	
252709	Starck 3	
222709	Starck 3 compact	
221709	Vero	

Brand Name	Model Number*	Model Name
Kohler	K-6299	Veil
	K-6300	Veil
Lacava	5051WC	Giulia
	6058.1	Suave
Laufen	820338	Kartell
	820339	Kartell
	820978	IlBagnoAlessi One
	820950	Laufen Pro
	820968	Laufen Pro
	820969	Laufen Pro
	820963	Laufen Pro S
	820708	Palace
	820808	Palomba
	820288	Val
Villeroy & Boch	4688 UR XX	Architectura
	5864 U1 XX	Architectura
	5627 U1 XX	La Belle
	5628 U1 XX	Memento
	4609 UR XX	Subway
	5600 U0 XX	Subway
5614 UR XX	Subway	

* Consult toilet manufacturers for up-to-date model numbers and availability.

** Meets 600 grams MaP performance score.

*** Meets 800 grams MaP performance score.

Geberit
 2100 S. Clearwater Drive
 Des Plaines, IL 60018
 USA

P 847-803-7777

F 847-849-1845

www.geberit.us

© 2020 Geberit. Product specifications subject to change without notice.